

4

3

2

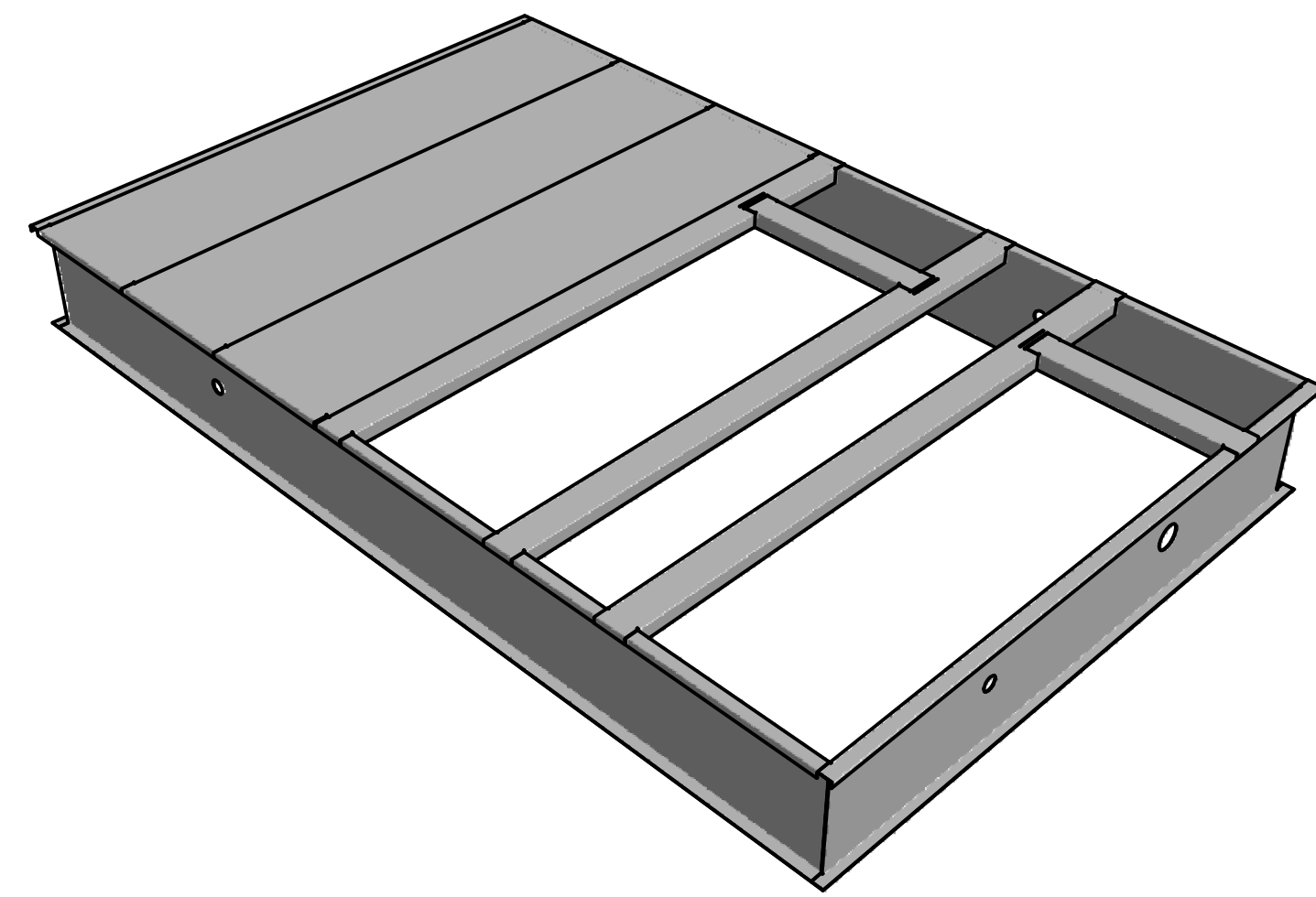
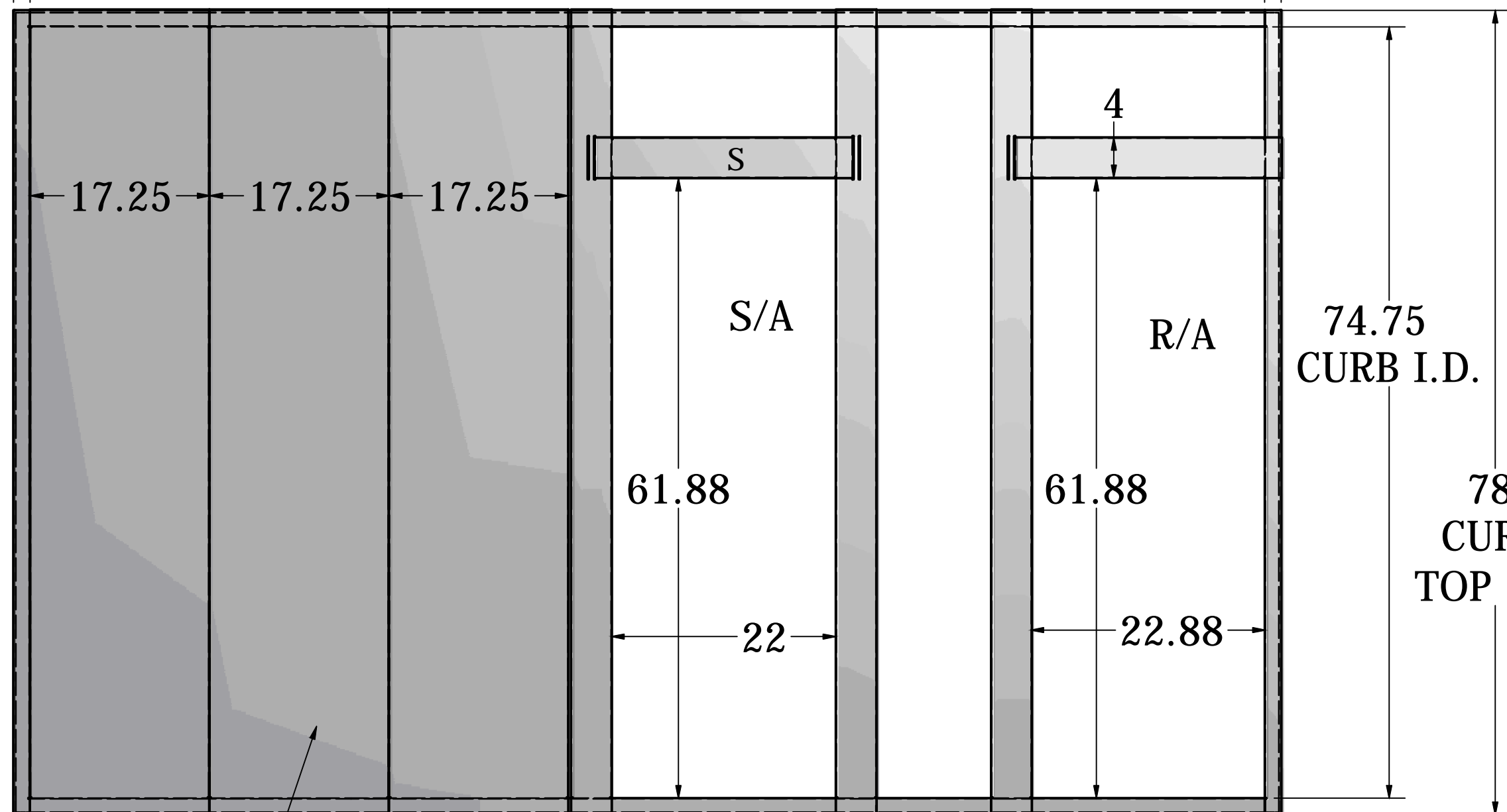
1

D

D

123.5 CURB TOP O.D.

120.25 CURB I.D.



C

C

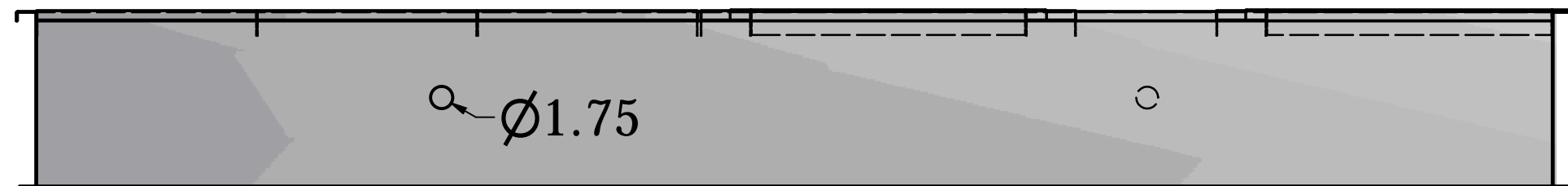
B

B

INSULATED PANELS

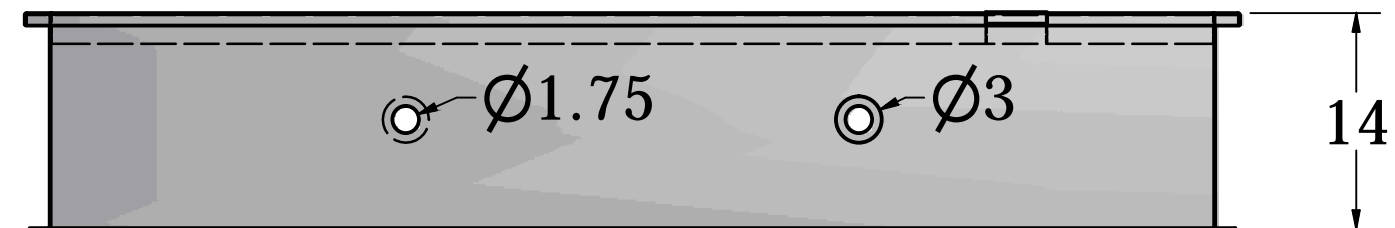
B

B



123 CURB BOTTOM O.D.

1.38 TYP.



77.5 CURB BOTTOM O.D.

A

A

DRAWN mikeg	4/28/2010	TITLE		
CHECKED		14CURB180-240		
QA		SIZE	DWG NO	REV
MFG		C		
APPROVED		SCALE	SHEET 1 OF 1	

4

3

2

1