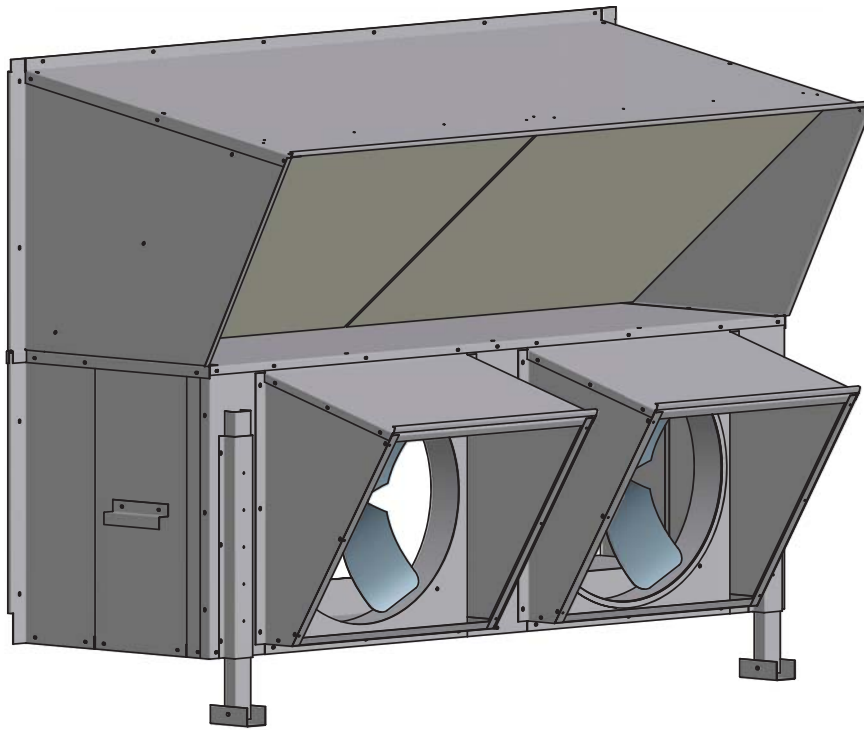


PE180240X INSTALLATION AND OPERATION GUIDE



INSTALLATION WITH ECONOMIZER

1. Open carton and inspect contents for shortages and damage.
2. Disconnect the power to the unit.
3. Remove the economizer fresh air/barometric relief hood.
4. Remove the filter access panel.
5. Feed the line voltage leads to the control section of the package unit and attach them per the included wiring diagram.
6. Attach the power exhaust hood over the barometric relief opening.
7. Attach the low voltage control leads to the economizer controller per the included wiring diagram.
8. Adjust the exhaust set point on the economizer control. It is recommended to adjust the potentiometer to engage the power exhaust when the fresh air dampers are approximately 70% open. The EXH led illuminates when
9. Weather proof the fresh air hood/power exhaust hood using approved methods.
10. Reinstall the filter access panel.

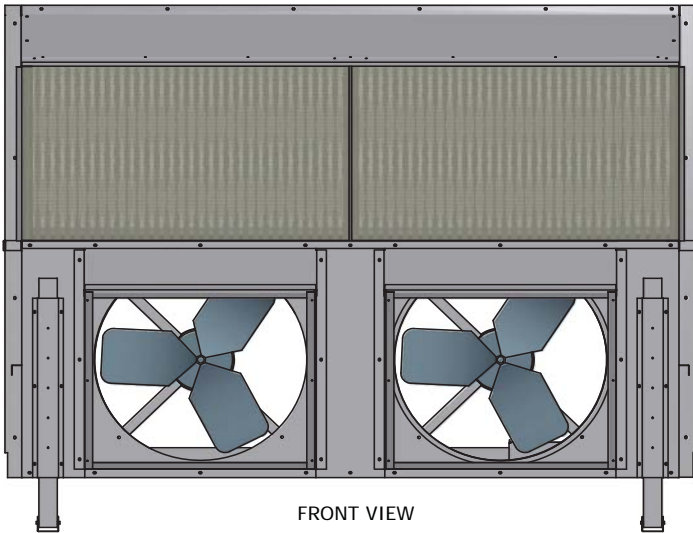
SEQUENCE OF OPERATION

This sequence assumes employment of a single enthalpy economizer using a two stage thermostat.

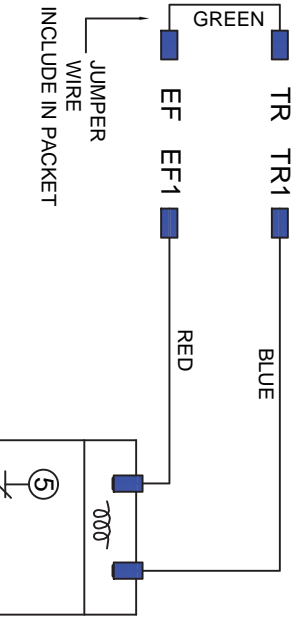
1. A call for cooling comes from room thermostat.
2. The enthalpy sensor determines if the atmospheric conditions are conducive for using outside air for cooling. If YES, the fresh air damper section of the economizer begins to open.
3. When the fresh air dampers are open approximately 70% of their full open capacity, the power exhaust contacts make and energize the fan motor to draw air through the return air from the space. There is a 60 +/-30 second time delay built into the economizer control before the fan motor actually energizes.
4. When the dampers modulate below the 70% open position due to a satisfied thermostat or atmospheric conditions, the power exhaust disengages immediately.

CONTENTS

1	Power Exhaust Hood
1	12 Gauge Wire Harness
1	Jumper Wire and Spades
1	Installation Instructions



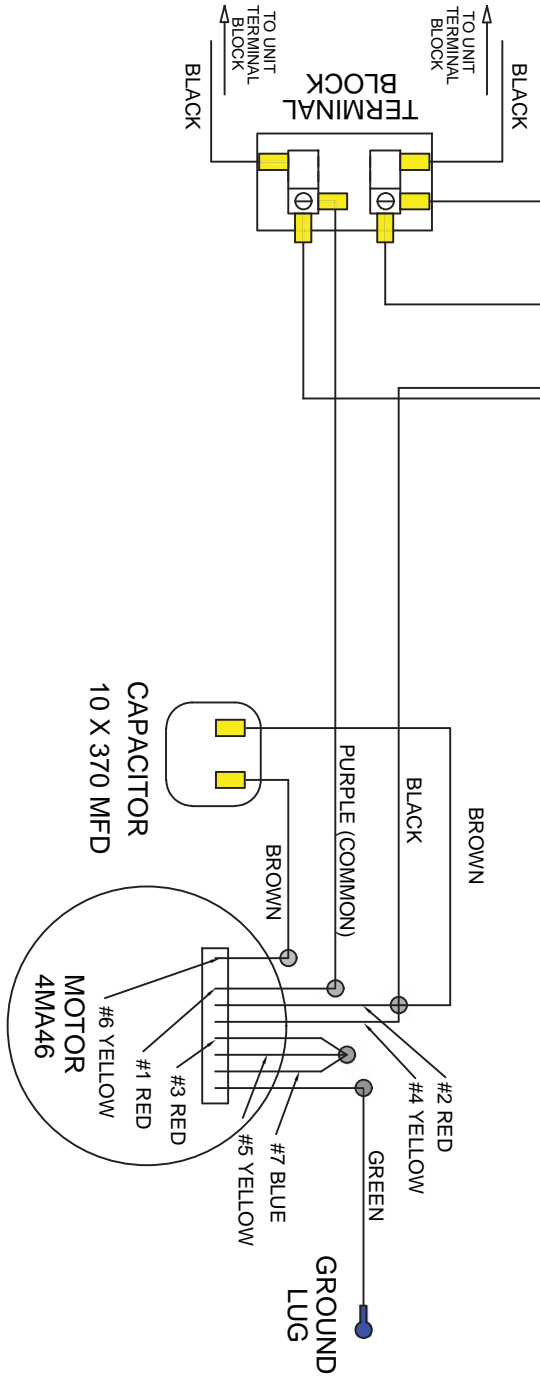
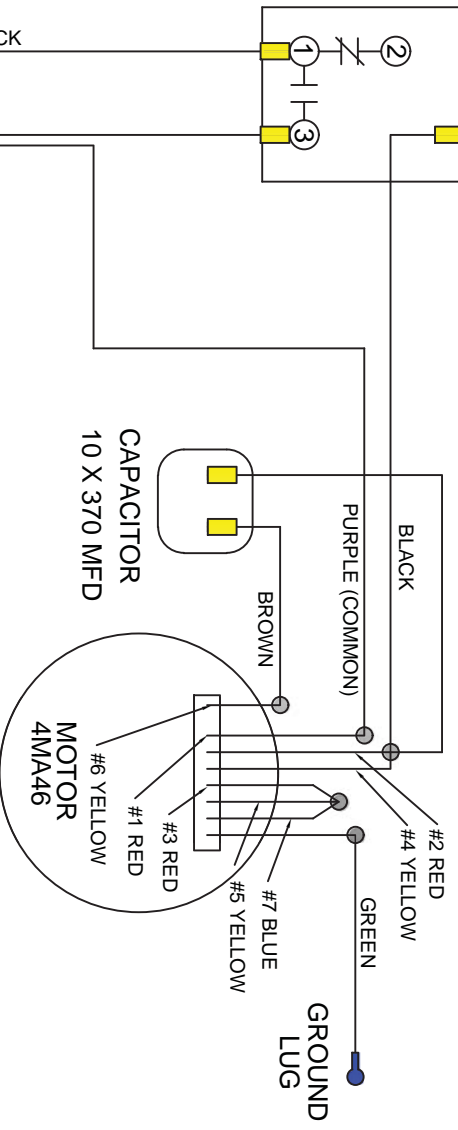
Model	Voltage	Motor				
		HP	RPM	Type	FLA	Speeds
PE1802402	208/230-1-60	1/2(2)	1075	Direct Drive	2.4	1
PE1802404	460-1-60	1/2(2)	1075	Direct Drive	1.2	1
PE1802407	575-1-60	1/2(2)	1100	Direct Drive	1.0	1



PE1802402 208/230V 1PH

- ELECTRICAL FITTINGS**
- 6-BLUE FEMALE
 - 14-YELLOW FEMALE
 - 2-BLUE GROUND
 - 10-WHITE CRIMP

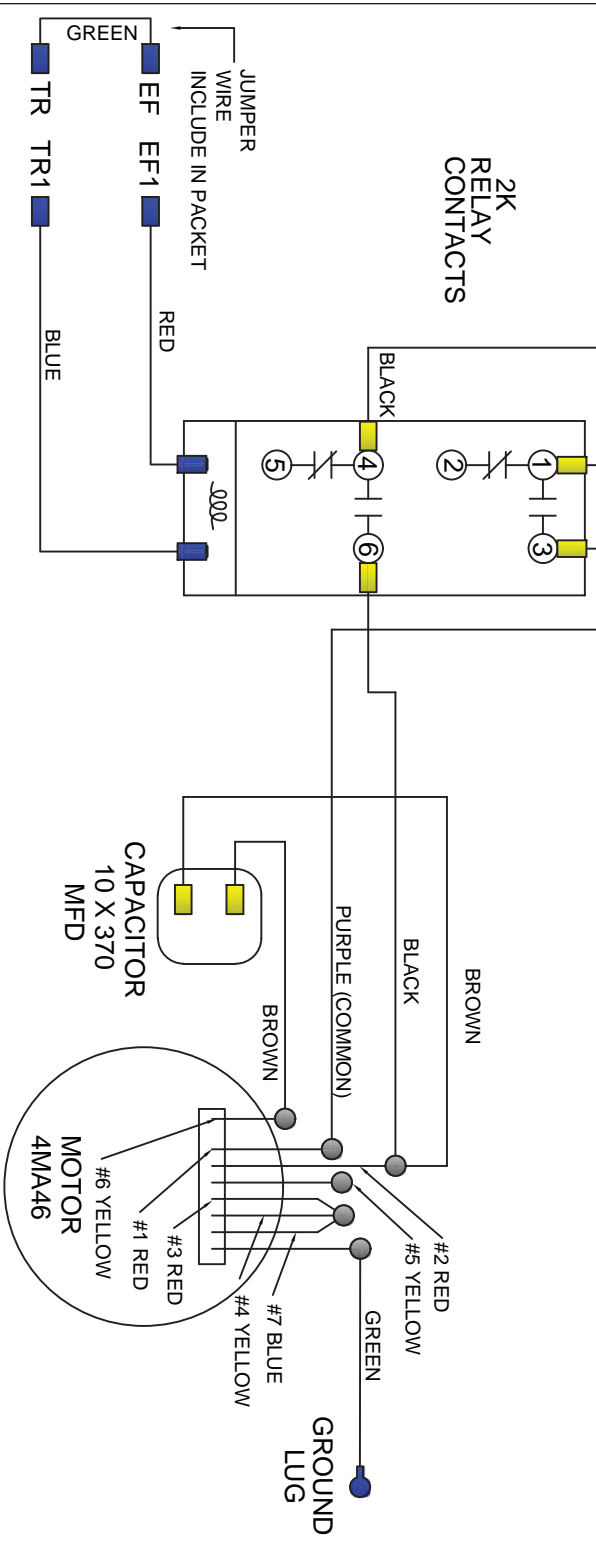
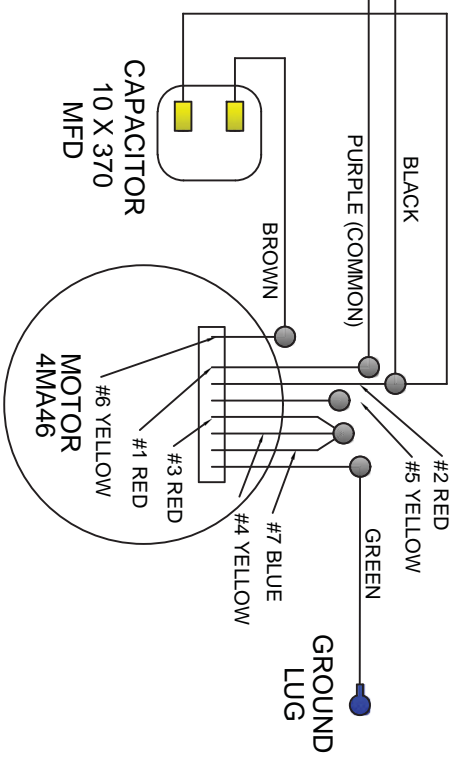
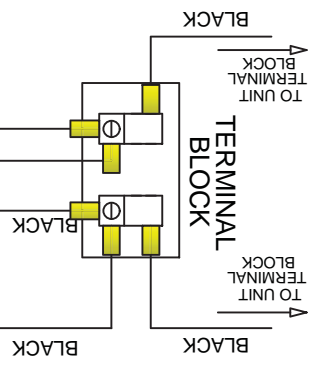
- WIRE SIZES**
- 12 GA.
 - PURPLE - 50" (X2)
 - BLACK - 192" (X2)
 - BLACK - 50" (X2)
 - BLACK - 10" (X2)
 - BROWN - 50" (X4)
 - 16 GA.
 - RED - 96" (X1)
 - BLUE - 96" (X1)
 - GREEN - 12" (X2)
 - GREEN - 8" JUMPER



- ELECTRICAL FITTINGS**
- 6- BLUE FEMALE
 - 14- YELLOW FEMALE
 - 2- BLUE GROUND
 - 12- WHITE CRIMP

- WIRE SIZES**
- 12GA
 - PURPLE - 50" (X2)
 - BLACK - 50" (X2)
 - BLACK - 10" (X2)
 - BLACK - 192" (X2)
 - BROWN - 50" (X4)
 - 16GA
 - RED - 96" (X1)
 - BLUE - 96" (X1)
 - GREEN - 12" (X2)
 - GREEN JUMPER - 8" (X1)

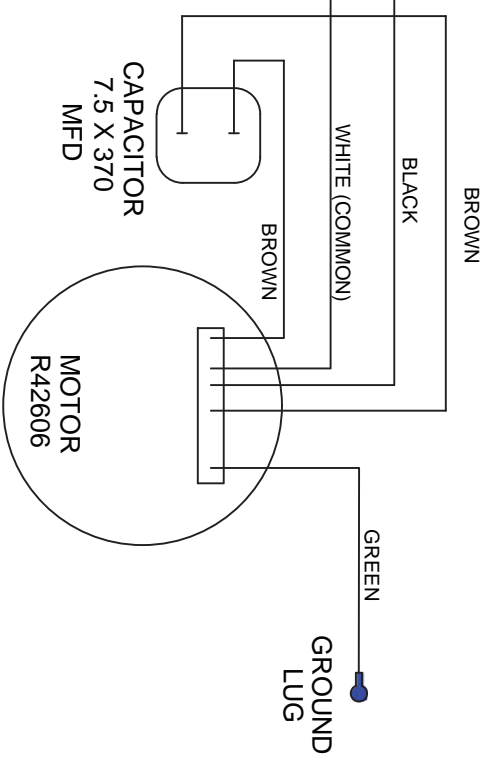
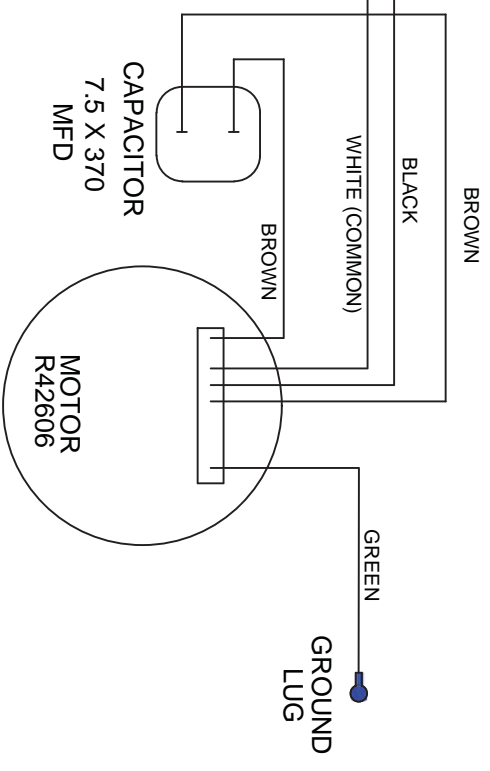
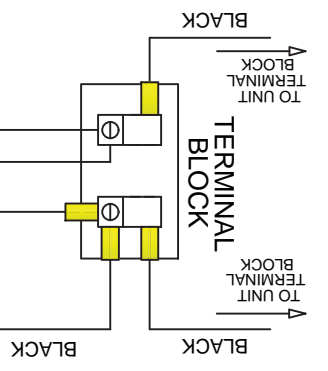
PE1802404 460V



PE1802407 LOW VOLTAGE

ELECTRICAL FITTINGS	
	6- BLUE FEMALE.
	6- YELLOW FEMALE
	2- BLUE GROUND

WIRE SIZES	
	12 GA.
	BLACK - 144" (X2)
	BLACK - 10" (X2)
	16 GA.
	RED - 96" (X1)
	BLUE - 96" (X1)
	GREEN JUMPER - 8" (X1)



2K
RELAY
CONTACTS

