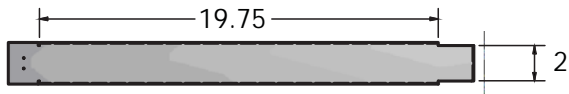
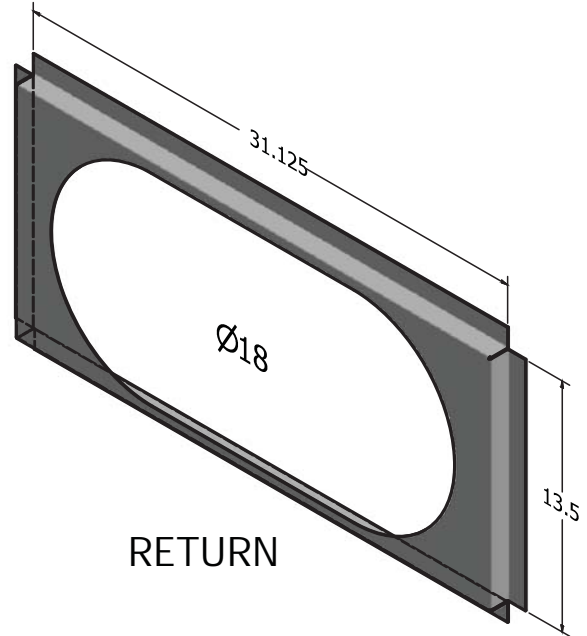
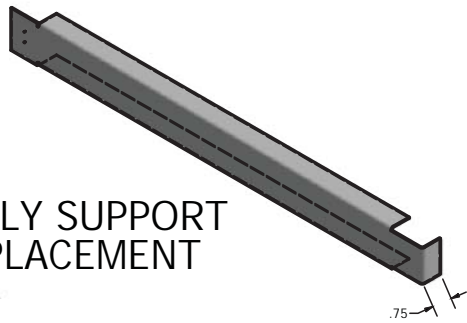


DNSQRRND4872B INSTALLATION INSTRUCTIONS

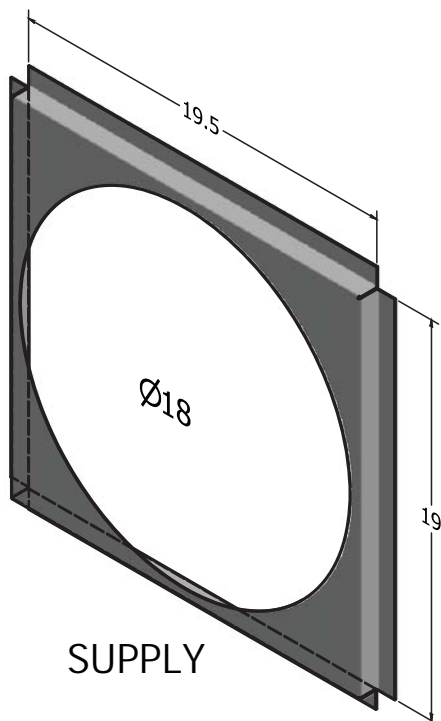
DNSQRRND4872B



SUPPLY SUPPORT REPLACEMENT



RETURN



SUPPLY

- Assemble the roof curb per curb installation instructions.
- Remove the 19 1/2" duct support furnished with the curb and replace it with the support provided with the square to round accessory. Do not secure it to the curb.
- Attach duct to the appropriate square to round.
- On the return, feed the duct through the opening created in the duct support and place the square to round into the opening with the flanges resting on top of the curb duct supports.
- On the supply, feed the duct through the supply opening and install the square to round with the flanges resting on the perimeter of the curb and the duct support that divides the supply and return.
- Install the 19 1/2" duct support such that the square to round flange rests on top of it and secure it to the curb.
- Install gasket material to the perimeter of the square opening and the rest of the roof curb.