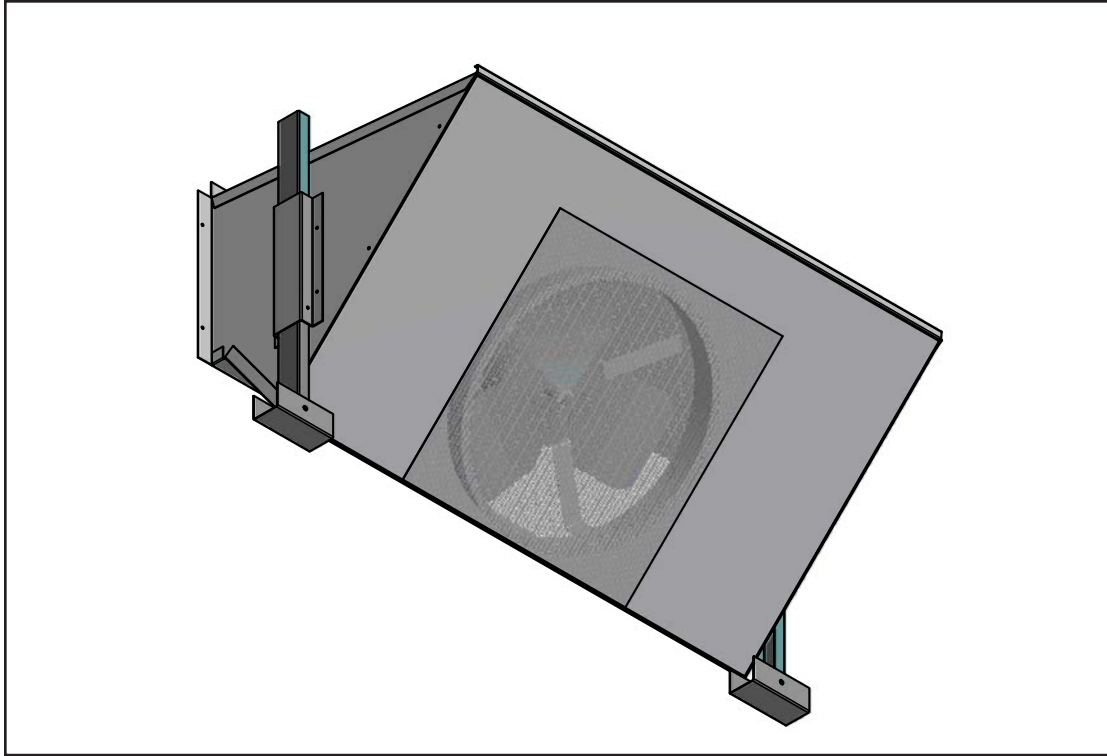


PE3672XB POWER EXHAUST



Features

- Propeller type fans
- 208/230V, 460V, 575v models available
- Used in conjunction with DNECONXX3672B
- Fans engage when economizer fresh air dampers are 70% open
- Up to 100% relief
- Replaces barometric relief hood