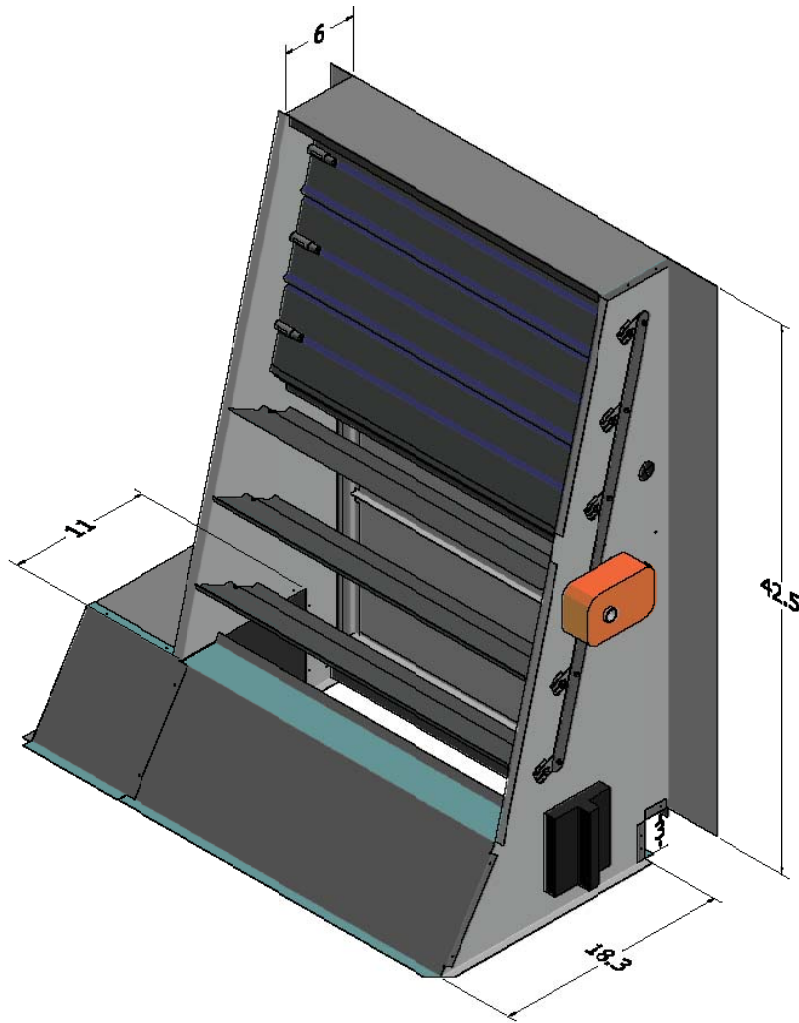


DNECON**150 DOWNFLOW ECONOMIZER



SPECIFICATIONS

- FULLY MODULATING
- UP TO 100% FRESH AIR
- INTEGRAL BAROMETRIC RELIEF
- HOODS PAINTED TO MATCH UNIT
- HONEYWELL ECONOMIZER CONTROL
- SINGLE ADJUSTABLE ENTHALPY CONTROL CONVERTIBLE TO DUAL ENTHALPY
- ADJUSTABLE MINIMUM FRESH AIR
- FACTORY WIRED
- GAS/ELECTRIC (GS) AND HEAT PUMP (HP) MODELS AVAILABLE
- FITS ALL MODELS 12.5 TONS