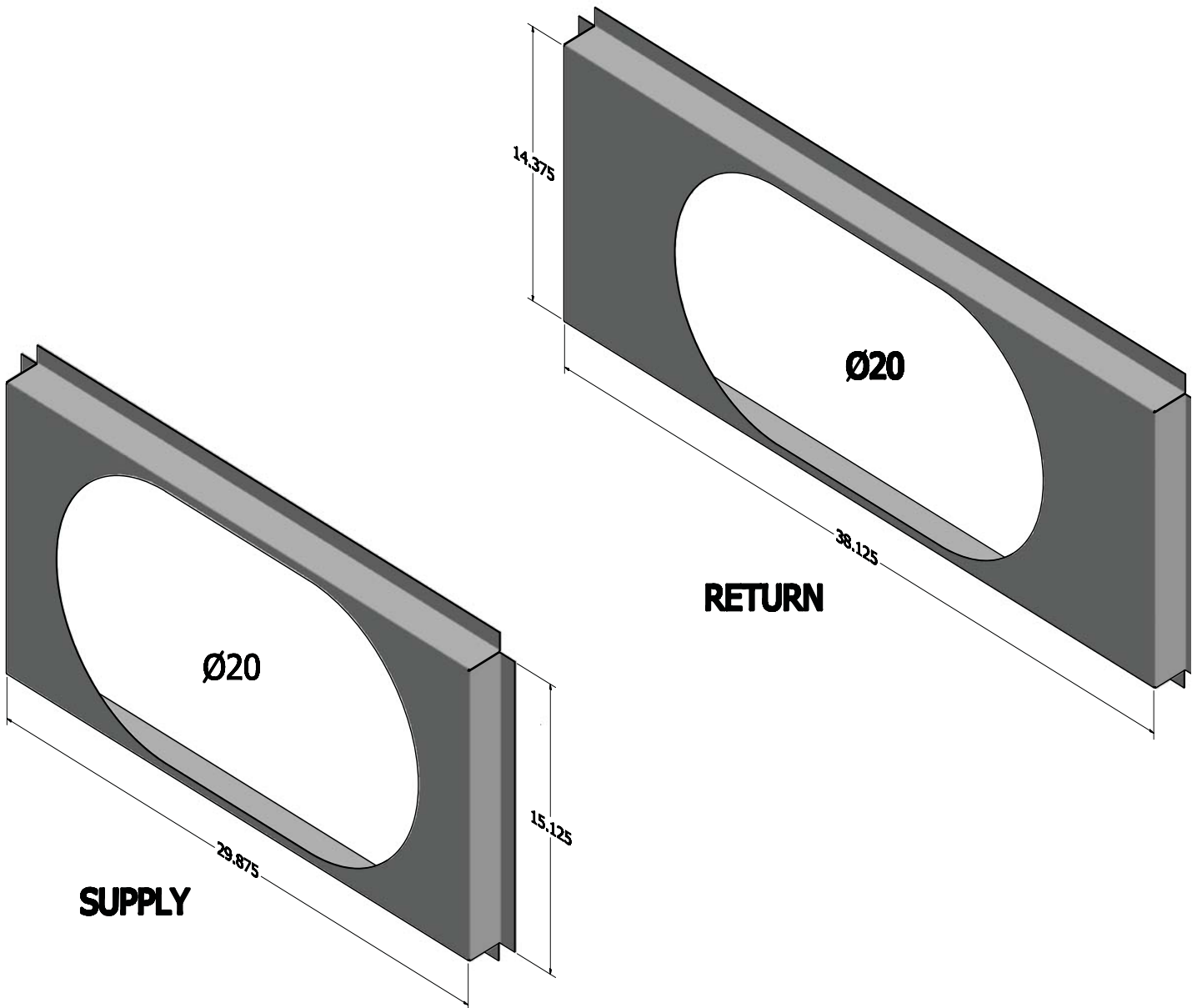


DNSQRRND90 INSTALLATION INSTRUCTIONS



- Assemble the roof curb per curb installation instructions.
- Attach duct to the appropriate square to round.
- On the return, feed the duct through the opening created in the duct support and place the square to round into the opening with the flanges resting on top of the curb duct supports.
- On the supply, feed the duct through the supply opening and install the square to round with the flanges resting on the perimeter of the curb and the duct support that divides the supply and return.
- Install gasket material to the perimeter of the square opening and the rest of the roof curb.