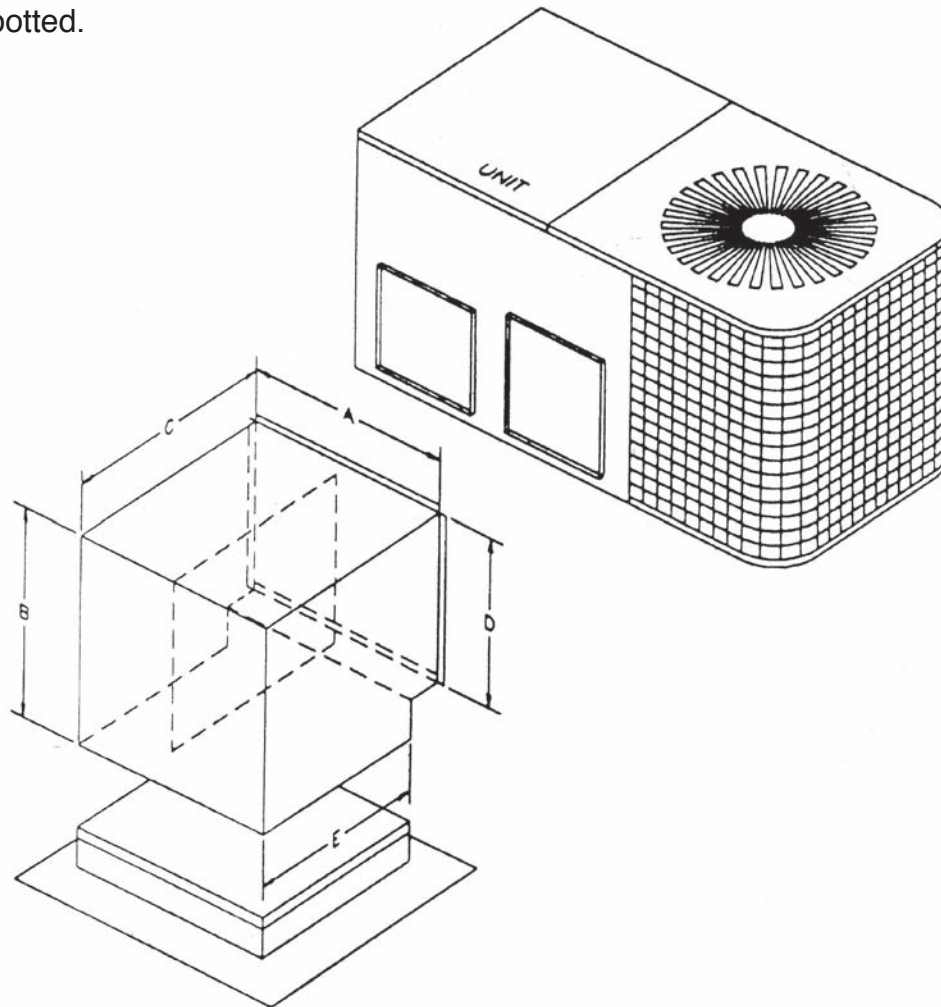


**PCEF-1, PCEF 2-3
DOWNFLOW ELBOW & FLASHING
FOR GOODMAN PCK / PHK 024 - 060 PACKAGE UNITS**

FEATURES:

1. 26 ga. galvanized construction.
2. 1" insulation.
3. Fully Assembled.
4. Soldered flashing.
5. Pin Spotted.



MODEL	A	B	C	D	E
PCEF-1	28 1/2	28 1/4	25	20 1/4	20
PCEF-2-3	34 1/2	32 1/4	25	24 1/4	20