

HORIZONTAL DUCT CONVERSION KIT ASSEMBLY AND INSTALLATION

**ACCESSORY NUMBER PGHDK090/102-5A
FOR USE WITH: PGC/PCC090 THRU 102**

**ACCESSORY NUMBER PGHDK120/180-5A
FOR USE WITH: PGC/PCC 120**

**DUCT OPENINGS:
R/A - 40 1/4 X 17 5/8
S - 40 1/4 X 12 5/8**

**R/A - 40 1/4 X 17 5/8
S - 40 1/4 X 20 5/8**

GENERAL

The horizontal air discharge accessory is used to convert a vertical discharge unit to horizontal supply and return air configuration. This accessory is intended to cover the air duct holes in the bottom of the unit, divide the discharge air return airstreams at the back of the unit and provide flanges for duct connections to the unit cabinet. Assembly and installation are the responsibility of the installing contractor.

INSPECTION

Inspect accessory number to assure the unit model is correct. Verify that all parts and quantities of each item as shown below are included.

Quantity	Description
2	Vertical Duct Hole Covers
1	Supply/Return Divider Panel
1	Top Duct Flange Angle
1	Bottom Duct Flange Angle
1	Center Duct Flange Channel
2	Discharge Duct Flange Side Angles
2	Return Duct Flange Side Angles
1	Fastener Package
1	Blockoff Kit

INSTALLATION

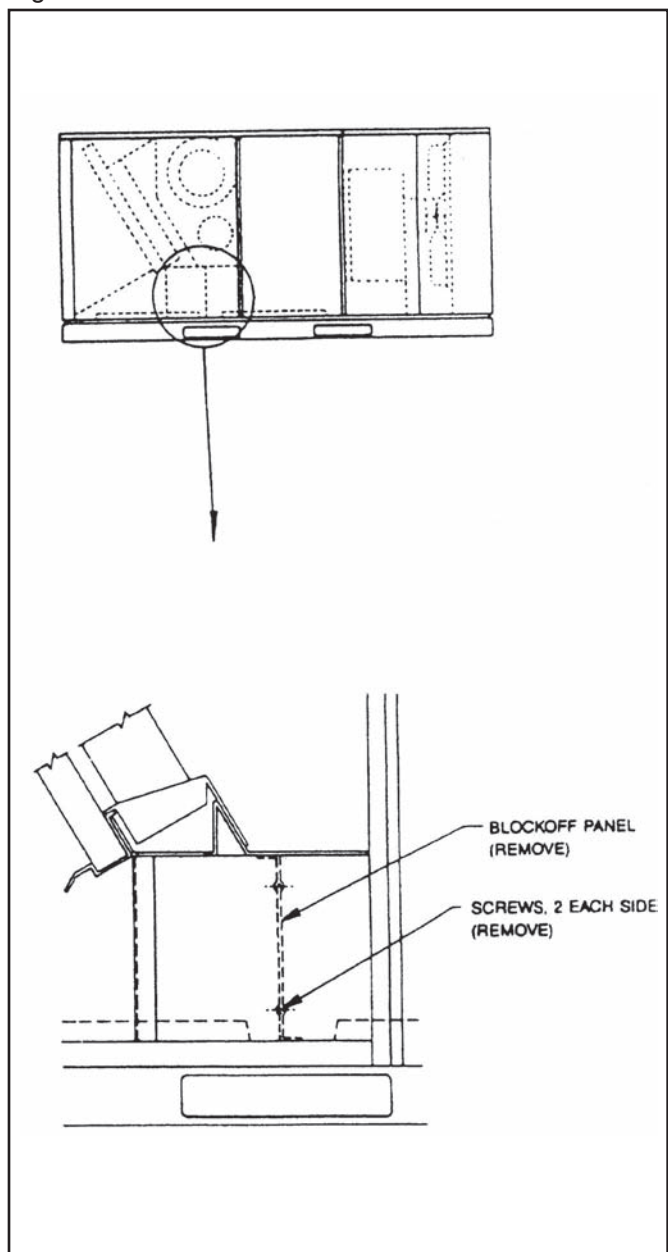
This accessory is to be installed by an experienced installation company and fully trained personnel.

CAUTION: Sheetmetal parts, screws, clips and similar items inherently have sharp edges, and it is necessary that the installer exercise caution.

1. Disconnect electrical power to the unit.
2. Remove back panel and discard.
3. Remove both filter access panels.
4. Remove block-off panel that is located below the fan and evaporator coil section. Refer to Figure1. Remove two screws from each side and remove the panel through the back of the unit (discard panel).

NOTE: Be careful not to damage firestats or the mixed air sensor that may be installed in the block-off panel supports.

Figure 1



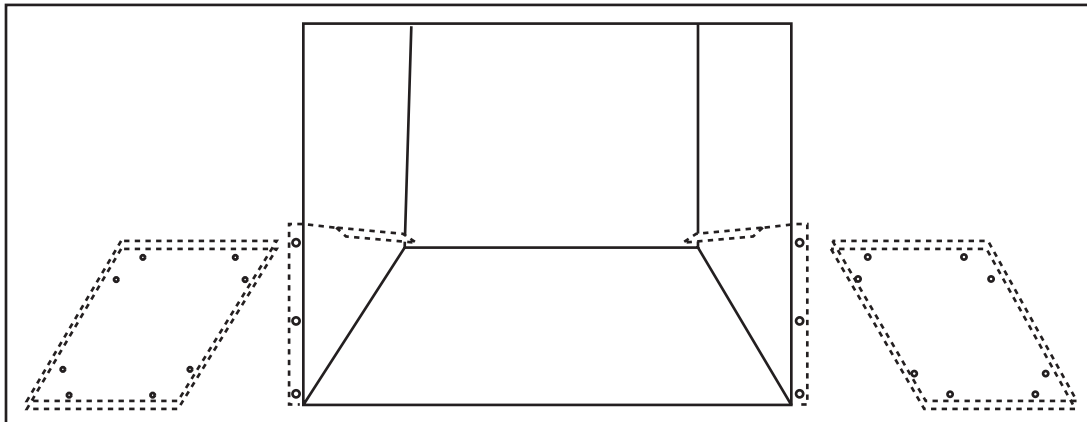
PGHDK 090/180-5A BLOCK-OFF KIT

Package Includes:

- 2 - Triangular Block-Offs
- 2 - Rectangular Block-Offs
- 1 - Screw Package

Remove front panel from unit and install Triangular Block-Offs as shown in diagram. Secure with screws provided.

Remove side panels from unit and install Rectangular Block-Offs over R/A openings as shown in diagram and secure with screws provided. Be sure to replace side panels afterwards.



HORIZONTAL AIR DISCHARGE CONVERSION ASSEMBLY AND INSTALLATION (cont.)

5. Install the cover panels for the discharge and return air holes in the bottom of the unit. The holes are the same size, and the covers are interchangeable. Insert the cover panel through the back opening in the cabinet turning as necessary to fit through the opening. Center the panel over the duct opening and dress the leading edge on the duct opening flange. Force the panel forward so the panel can drop down into position. Refer to Figure 2. The channels on the cover panel lock the panel in position. Check that the panel is securely engaged.

6. Install the supply/return divider panel through the back opening. Insert the panel at a downward angle so that the panel rests on top of the flanges "A" of the side triangular panels, and the front edge of the panel locks under the flange on the frame filter "B". Secure the panel to the cabinet with two screws.

7. Install the duct flanges to the cabinet and divider panel with screws as indicated. Refer to Figure 3. Apply duct sealant (field supplied) to the top return air angle and around screws to minimize moisture leakage. In addition, installer is responsible for providing a weather tight seal between the duct and the unit.

8. Replace filter access panels.

Figure 2

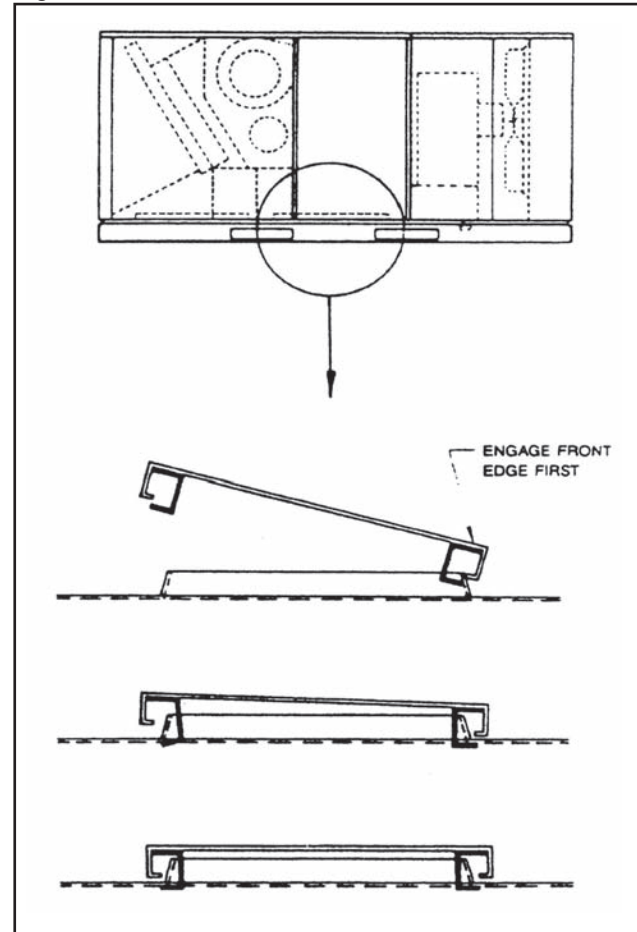


Figure 3

