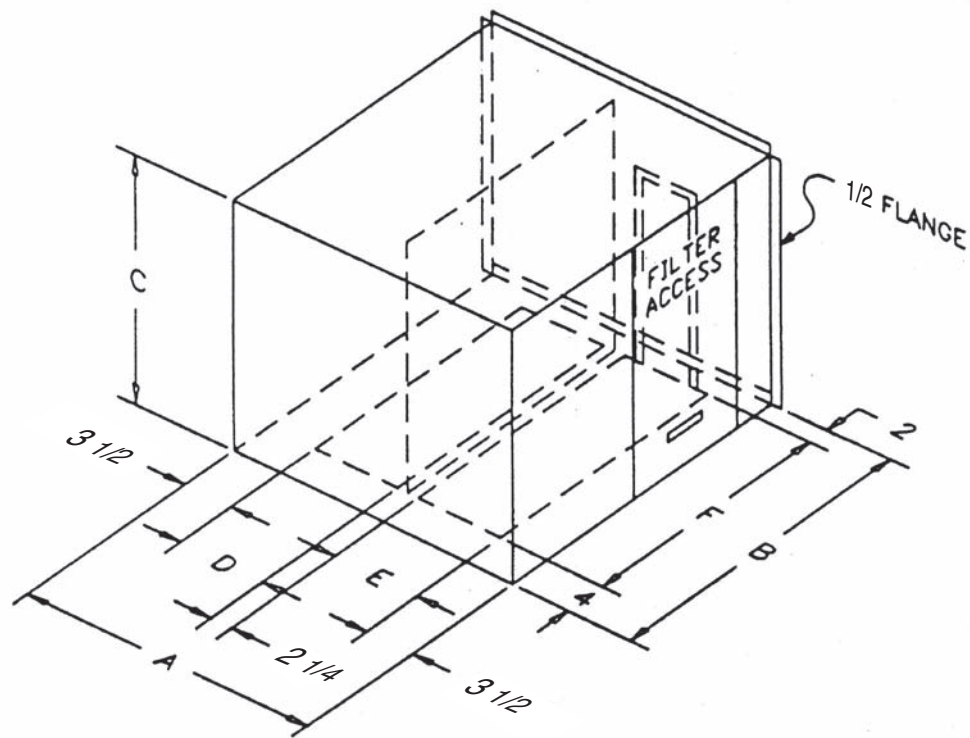


**PCP-1, PCP 2-3
PLENUM FOR PCK & PHK 024-060**

APPLICATION: For Use With PCCP Curb & Platform



MODEL	A	B	C	D	E	F	FILTER
PCP-1	28.5	30	25.75	8	11.5	24	16 X 20
PCP 2-3	34.5	30	30	11	14.5	24	20 X 25