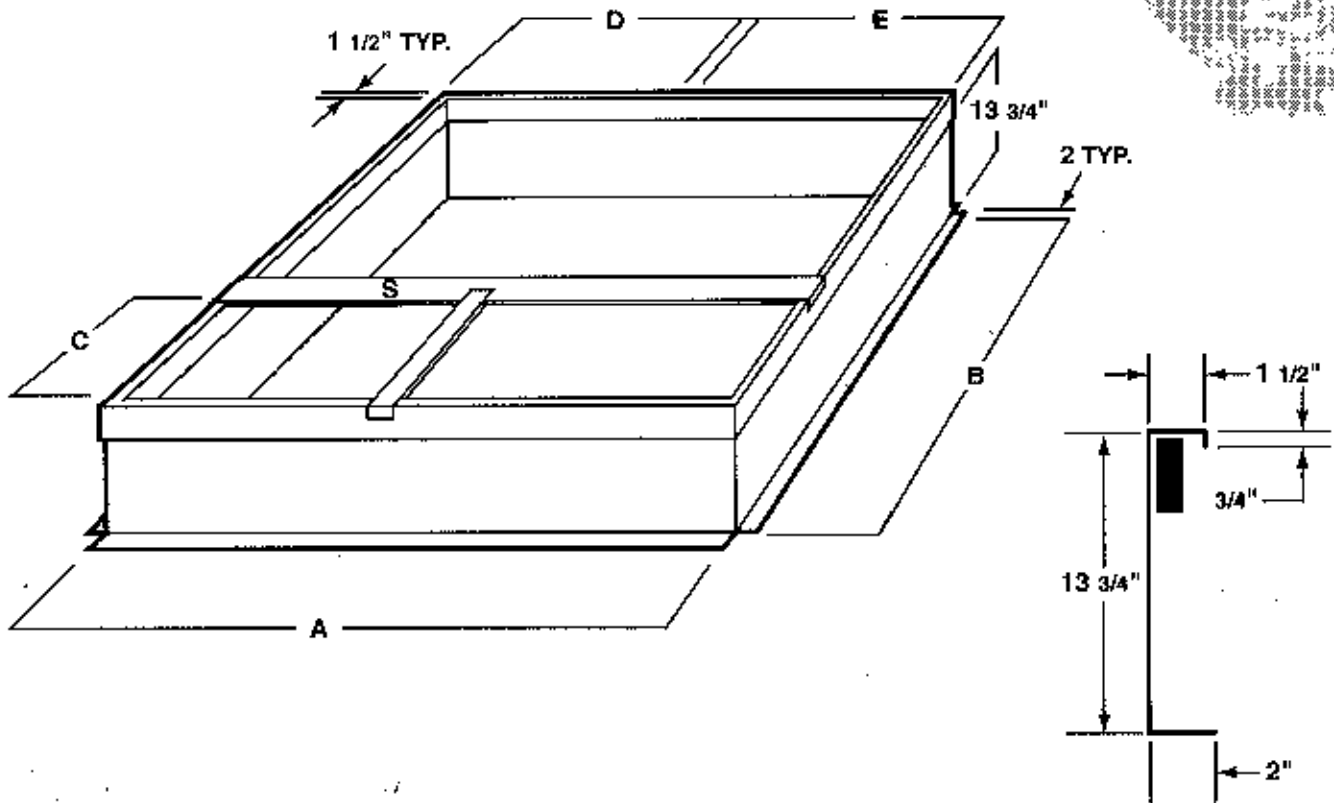


PGC-1, -2, -3 & -4 ROOF CURBS FOR GOODMAN PGB, PHB, PGJ / 024 - 120 PACKAGE UNITS



MODEL	A	B	C	D	E
PGC-1	34	46.625	15.25	15	18
PGC-2	39	46.625	15.25	17	21
PGC-3	53.75	50.75	17.25	25.375	27.375
PGC-4	66.875	81.75	18.5	28.438	37.438

ROOF CURB

Constructed of minimum, 18 gauge galvanized steel for PGC1-3,
16 gauge for PGC-4.

Features a 1" x 4" wood runner permanently attached to the top of the curb.

Shipped unassembled with all hardware and instructions necessary for
installation.



NOTE: DUCT SIZE SHOULD BE 3/8" LESS THAN O.D. OF DUCT OPENING.