



# McDaniel Metals, Inc.

1318 Buschong  
Houston, Texas 77039  
Phone (281) 987-8400  
Fax (281) 987-9494

## Assembly Instructions for PGC-5 ROOF CURB FOR GOODMAN PGB (PCB) 090 – 180 PACKAGE UNITS

1. Open package and inspect to ensure that all pieces are included.

Package should include the following;

- A - 4) 14 ½" frame pieces
- B - 1) 68" duct support
- C - 2) 45 ½" duct support
- D - 1) 45" duct support
- 38') gasket material

2. Layout curb parts as shown in diagram. *Insert 'TAB' sides into 'SLOTTED' sides making sure all flanges face outwards.*

3. Layout duct support pieces (B,C,&D) as shown in figure 1. Fit support pieces over curb perimeter and into slots as pictured.

4. Level and square curb. *To insure the curb is square the diagonal measurements must be within 1/8".*

5. Cut gasket material to length and apply to top of curb pieces. *Make sure duct support pieces have an airtight seal between supply and return.*

6. Drop duct into openings formed by duct support pieces.

**NOTE: DUCT SIZE SHOULD BE ½" LESS THAN I.D. OF DUCT OPENING. RECOMMENDED DUCT SIZE: 41 ½" x 19 ¼" WITH 1 ½" FLANGES. SEE FIGURE 2.**

**NOTE: DUCTS MUST NEVER BE FASTENED TO BOTTOM OF UNIT SO THAT BASE PAN IS PENETRATED.**

7. Install insulation, cant strips, roofing material, flashing and counterflashing in accordance with established guidelines of the National Roofing Contractors Association. The finished roof, including counterflashing around the curb, must be installed prior to setting the curb.

8. You are now ready to set the unit.

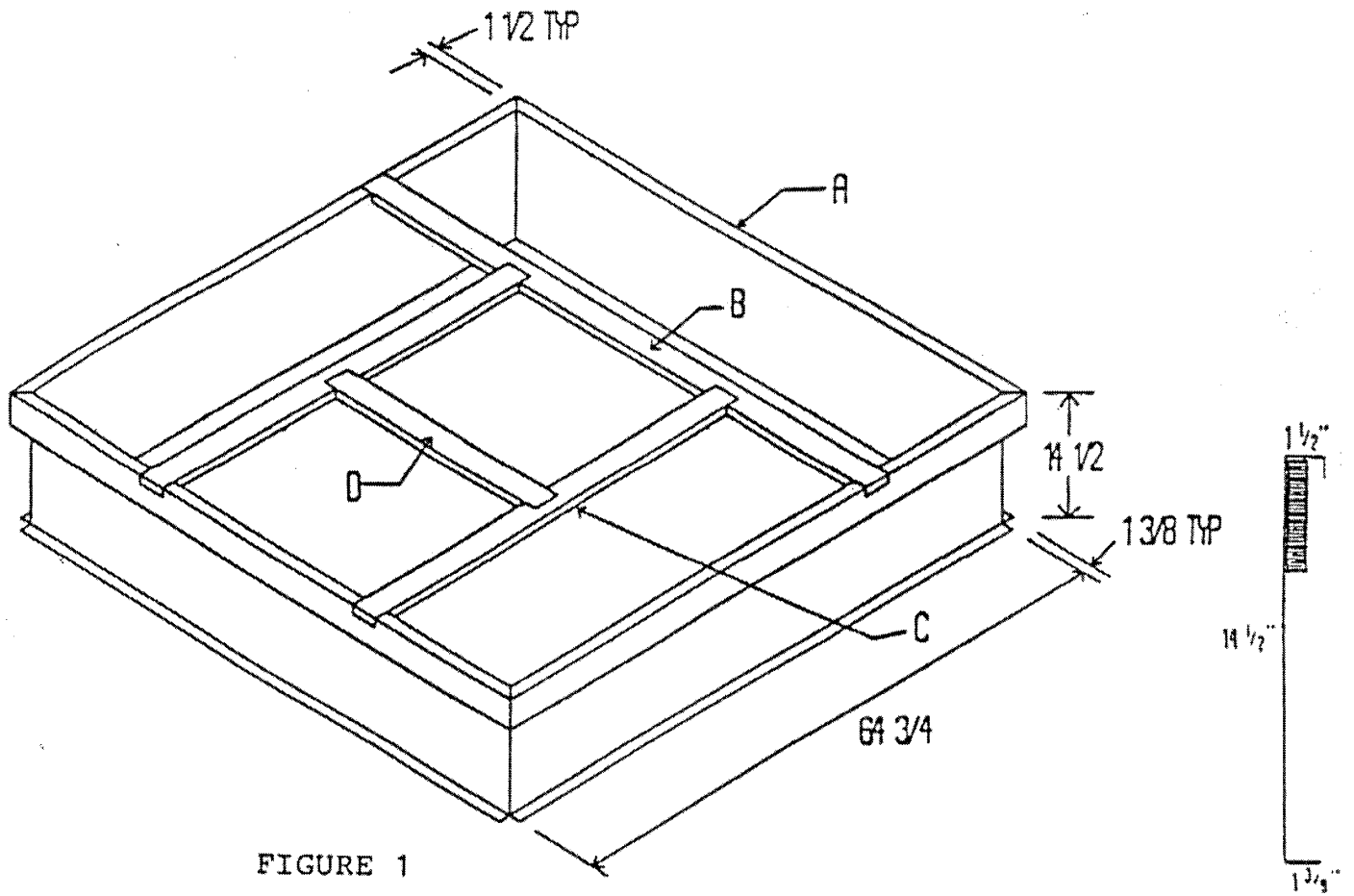


FIGURE 1

