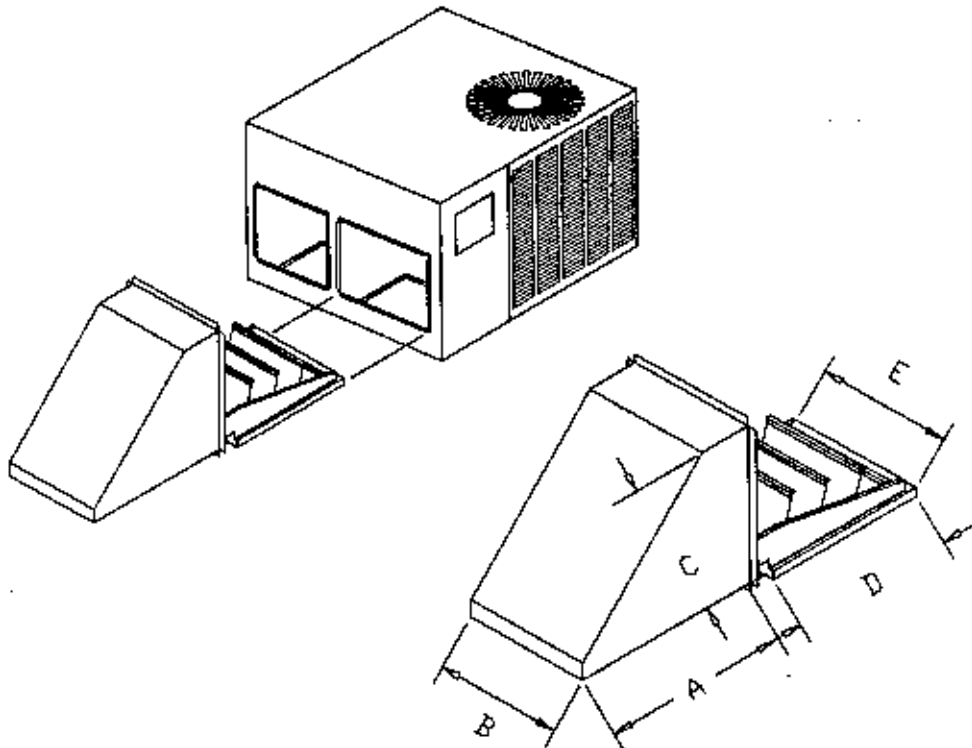




**PGED-1, -2, -3 & -4  
DOWNFLOW ECONOMIZER  
FOR GOODMAN PG(B)024 - 120 PACKAGE UNITS**

**SPECIFICATIONS:**

1. Fully modulating spring return 24 VAC motor.
2. Provides up to 100% fresh air.
3. Fully assembled and factory wired.
4. Integral barometric relief.
5. Painted to match unit.
6. Adjustable enthalpy type.
7. Adjustable mixed air temperature and minimum fresh air.
8. Plugs into receptacle in unit, no field wiring.
9. Replaces horizontal duct panel.
10. All installation hardware and instructions included.



MODEL	A	B	C	D	E
PGED-1	20	18.75	15.75	16.375	18.125
PGED-2	20	20.75	15.75	16.375	20.125
PGED-3	20	27	17.625	18.25	26.375
PGED-4	22	35.75	18.75	18.5	35.25