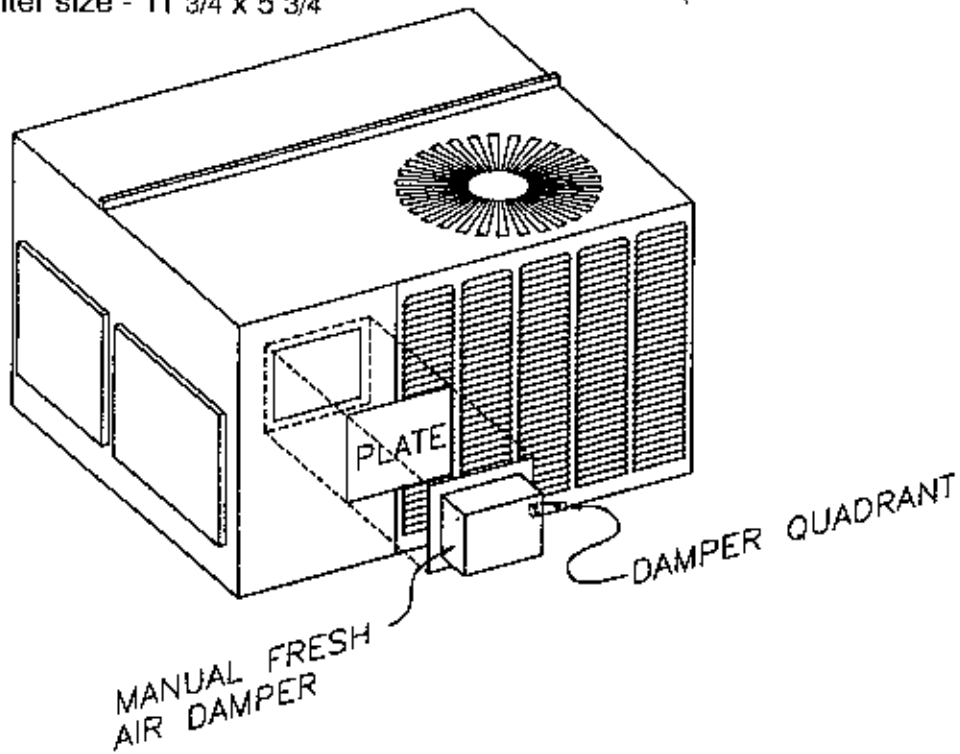


**PGMDM1-3 & PGMD1-3
MOTORIZED / MANUAL FRESH AIR DAMPER
FOR PGB, PHB, PGJ/024 - 060 PACKAGE UNITS**

Permanent Filter size - 11 3/4 x 5 3/4



MANUAL DAMPER

SPECIFICATIONS:

- 1) Provides from 0 to 25% outside air.
- 2) Locking selection knob to maintain constant opening.

MOTORIZED DAMPER

SPECIFICATIONS:

- 1) 24 VAC damper motor with spring return
- 2) Fully assembled and factory wired.

GENERAL

SPECIFICATIONS:

- 1) Painted to match unit.
- 2) All installation hardware and instructions included.