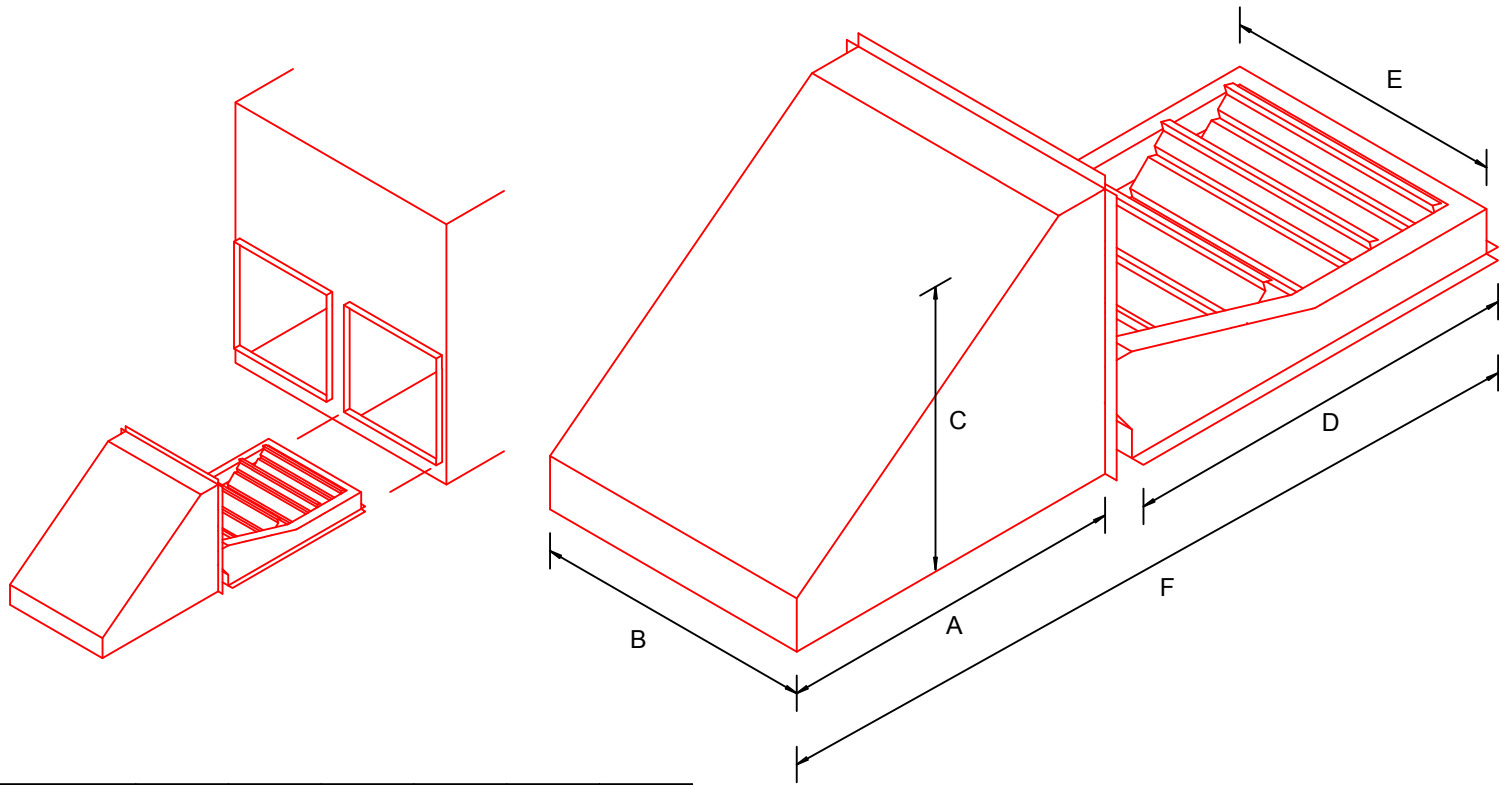


	A	B	C	D	E	F
PGED101/102	20	16.25	16	23.5	12.5	45.75



	A	B	C	D	E	F
PGED101/102	20	16.25	16	23.5	12.5	45.75