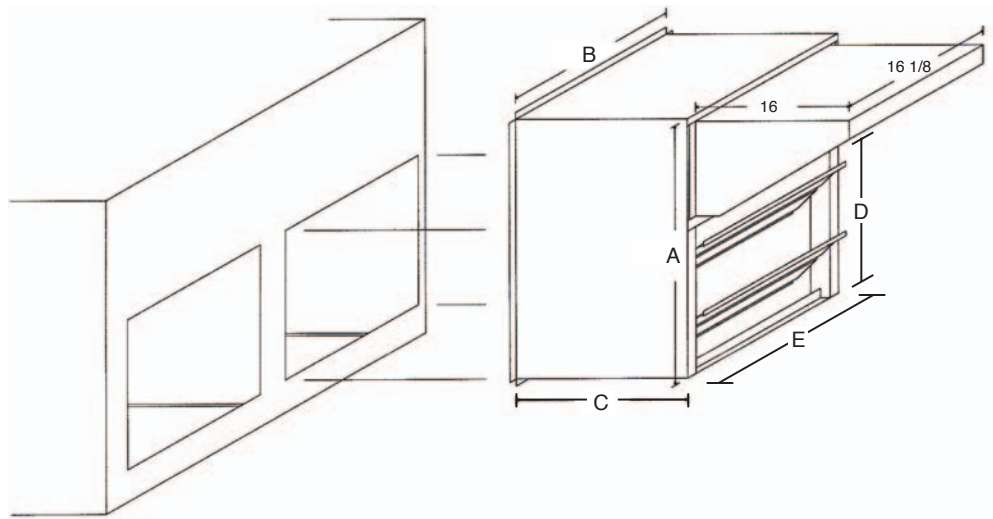


**PGEH-101, -102, -103
HORIZONTAL ECONOMIZER
FOR GOODMAN / AMANA GPG-, APG- 024 - 60 PACKAGE UNITS**

SPECIFICATIONS:

1. Fully modulating spring return 24 VAC motor.
2. Provides up to 100% fresh air.
3. Fully assembled and factory wired.
4. Adjustable enthalpy type.
5. Adjustable mixed air temperature and minimum fresh air.
6. All installation hardware and instructions included.



	A	B	C	D	E	FILTER
PGEH-101/102	25 1/4	18 1/8	18	13 3/4	16 1/8	16 x 25 x 1
PGEH-103	35 1/4	18 1/8	18	18 1/4	16 1/8	16 x 25 x 1