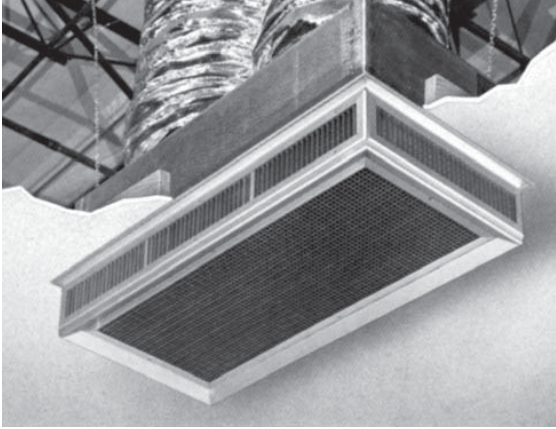
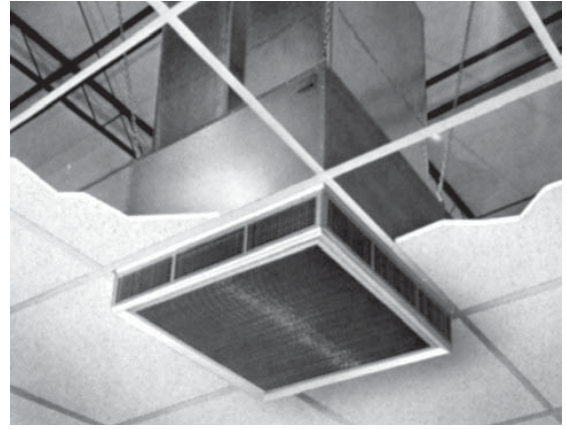


530 SERIES - SIDE DISCHARGE CONCENTRIC DIFFUSER SYSTEM



**LIGHT COMMERCIAL
PLASTER CEILING**



**COMMERCIAL
"T" BAR CEILING**

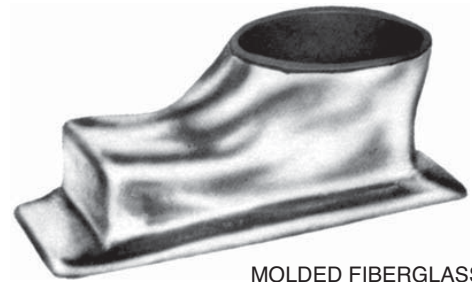
530 SERIES concentric diffuser systems are designed to provide a single point air distribution system with the added benefit of having directional air control. The systems may be used with either a "T-Bar" ceiling or a plaster ceiling.

Standard features include:

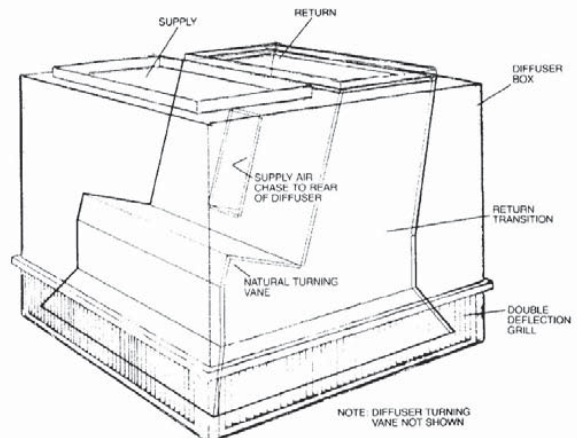
1. All aluminum diffuser with aluminum return air eggcrate.
2. Double deflection diffuser with the blades secured by spring steel.
3. Built-in Anti-Sweat gasket.
4. Molded Fiberglass Transition (through five tons).
5. Built-in hanging supports.
6. Diffuser box constructed of fiberglass ductboard (through 7.5 tons) or sheetmetal.

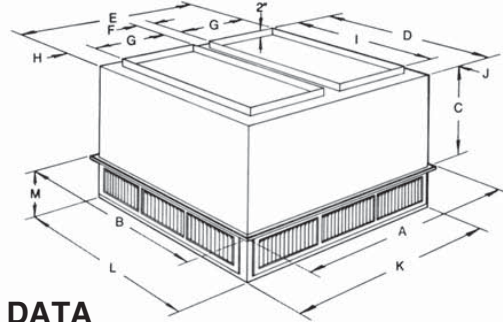
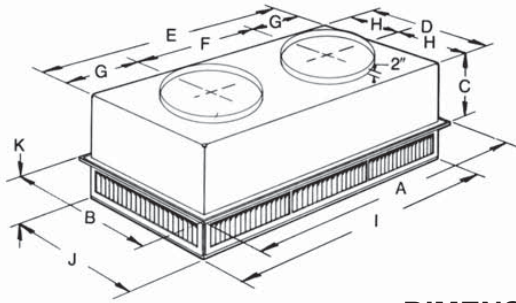
Standard benefits include:

1. Even four (4) way airflow.
2. All exposed surfaces (below ceiling) are brushed aluminum.
3. Factory assembled and sealed.
4. Guaranteed not to "sweat".
5. Guaranteed not to recirculate air flow (short cycle).
6. Return air eggcrate is easily removed.
7. Units are fully insulated (both supply and return).
8. Lightweight design.



**MOLDED FIBERGLASS
TRANSITION
(THRU 5 TONS ONLY)**



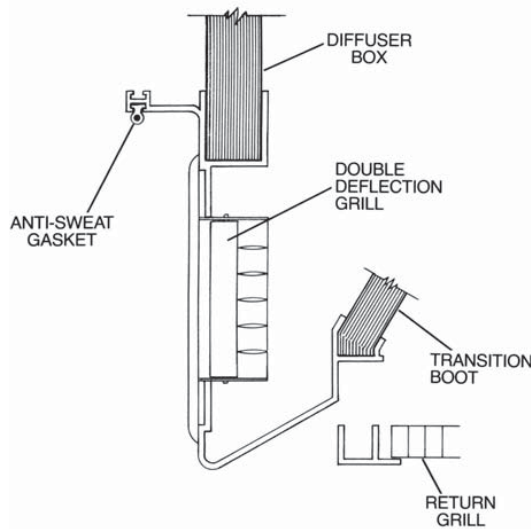


DIMENSIONAL DATA

MODEL No	A	B	C	D	E	F	G	H	I	J	K	L	M	DUCT SIZE
CDK36530	47 ^{5/8}	23 ^{5/8}	11 ^{3/8}	21 ^{1/2}	45	22 ^{1/2}	11 ^{1/2}	10 ^{3/4}	45 ^{1/2}	21 ^{1/2}	7 ^{1/8}	-	-	16RD
CDK4872530	47 ^{5/8}	23 ^{5/8}	11 ^{3/8}	21 ^{1/2}	45	22 ^{1/2}	11 ^{1/2}	10 ^{3/4}	45 ^{1/2}	21 ^{1/2}	7 ^{1/8}			18RD
CDK 90530	47 ^{5/8}	29 ^{5/8}	14 ^{3/8}	27 ^{1/2}	45	22 ^{1/2}	11 ^{1/2}	13 ^{3/4}	45 ^{1/2}	27 ^{1/2}	8 ^{1/8}			20RD

MODEL No	A	B	C	D	E	F	G	H	I	J	K	L	M	DUCT SIZE
CDK 120-530	47 ^{5/8}	35 ^{5/8}	20 ^{5/8}	33 ^{1/2}	45 ^{1/2}	4 ^{1/2}	18	2 ^{1/2}	28	2 ^{3/4}	45 ^{1/2}	33 ^{1/2}	9 ^{1/8}	18x28
CDK 180-530	47 ^{5/8}	47 ^{5/8}	24 ^{5/8}	45 ^{1/2}	45 ^{1/2}	4 ^{1/2}	18	2 ^{1/2}	36	4 ^{3/4}	45 ^{1/2}	45 ^{1/2}	10 ^{1/8}	18x36
CDK 240-530	59 ^{5/8}	59 ^{5/8}	30 ^{5/8}	57 ^{1/2}	57 ^{1/2}	4 ^{1/2}	24	2 ^{1/2}	48	4 ^{3/4}	57 ^{1/2}	57 ^{1/2}	11 ^{1/8}	24x48

530 SERIES CONCENTRIC DIFFUSER ENGINEERING DATA



TYPICAL SPECIFICATIONS

Furnish and install McDaniel Metals, Inc. "530 SERIES" concentric diffuser systems. The system shall consist of an aluminum double supply diffuser with an aluminum eggcrate return. ALL EXPOSED SURFACES (BELOW CEILING) MUST BE BRUSHED ALUMINUM. It shall also have a permanent (not adhesive) anti-sweat gasket and hanging supports. All units that are five (5) tons and smaller shall have a molded fiberglass interior transition.

PART No	CFM	Statistic Pressure	Throw Feet	Neck Vel.	Jet Vel.	Noise Level
CDK36530	600	.09	8-15	210	210	20
	800	.11	9-16	281	281	20
	1000	.14	10-17	351	351	20
	1200	.17	11-18	421	421	20
	1400	.20	12-19	491	491	20
CDK4872530	1000	.14	10-17	351	351	20
	1200	.17	11-18	421	421	20
	1400	.20	12-19	491	491	20
	1600	.24	12-20	561	561	20
	1800	.30	13-21	632	632	20
	2000	.36	14-23	702	702	20
CDK90-530	2200	.40	16-25	772	772	20
	2600	.17	24-29	669	669	20
	2800	.20	25-30	720	720	25
	3000	.25	27-33	772	772	25
	3200	.31	28-35	823	823	25
CDK 120-530	3400	.37	30-37	874	874	30
	3600	.17	25-33	851	851	30
	3800	.18	27-35	898	898	30
	4000	.21	29-37	946	946	30
	4200	.24	32-40	993	993	30
	4400	.27	34-42	1040	1040	30
CDK 180-530	5600	.36	39-49	920	920	30
	5800	.39	42-51	954	954	30
	6000	.42	44-54	1022	1022	30
	6200	.46	45-55	1056	1056	30
	6400	.50	46-55	1090	1090	30
	6600	.54	47-56	1124	1124	30
CDK 240-530	7200	.39	33-38	827	827	25
	7400	.41	35-40	850	850	25
	7600	.43	36-41	873	873	25
	7800	.47	38-43	896	896	30
	8000	.50	39-44	918	918	30
	8200	.53	41-46	941	941	30
	8400	.56	43-49	964	964	30
	8600	.59	44-50	987	987	30
	8800	.63	47-55	1010	1010	30

- Notes:
1. All data is based on the Air Diffusion Council Guidelines
 2. Throw data is based on Terminal Velocities of 75 FPM using isothermal air
 3. Actual noise levels are less than those shown.
 4. Throw is based on diffuser blades being directed in a straight pattern.