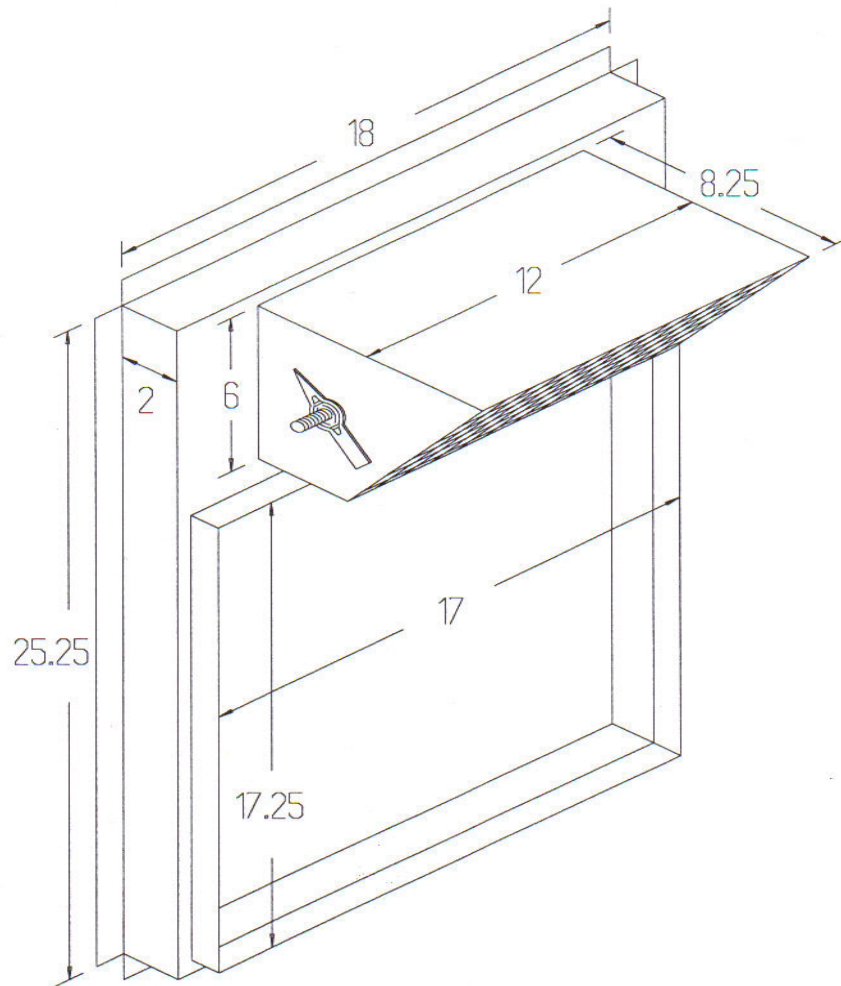


GPHMD101-103 HORIZONTAL MANUAL FRESH AIR DAMPER
FOR GOODMAN/AMANA GPHH13- PACKAGE UNIT



GPHMD101-103

MANUAL FRESH AIR DAMPER

- 25% Fresh air damper for horizontal applications
- Duct flange provided
- One size fits all GPHH13- models