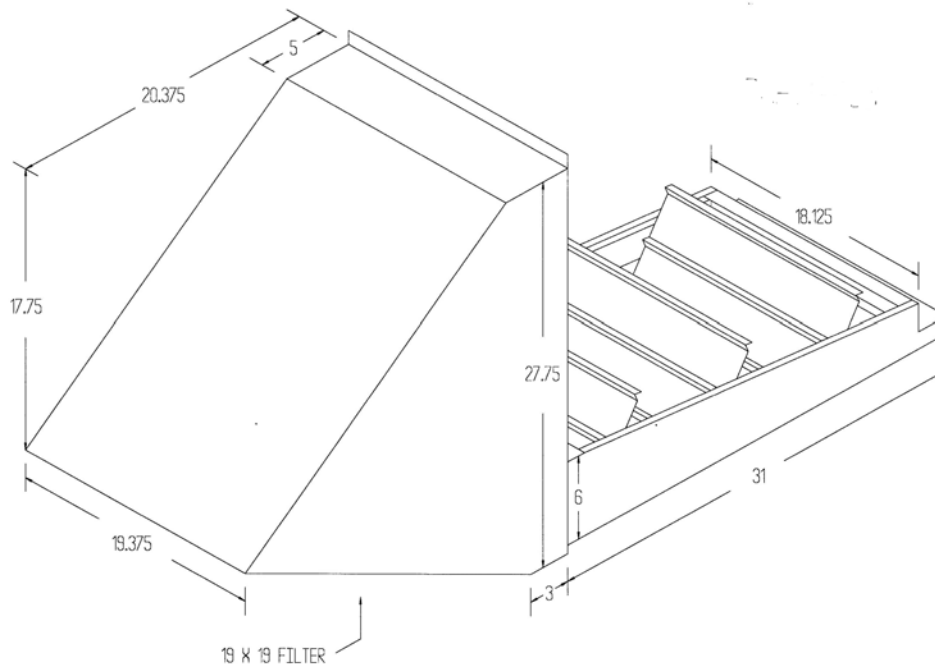


PCE101-103 DOWNFLOW ECONOMIZER FOR GOODMAN/AMANA GPHH13- SEER PACKAGE UNITS

PCE101-103



ECONOMIZER

- Fully modulating economizer package with 24VAC damper motor with spring return.
- Provides up to 100% fresh air.
- Fully assembled and factory wired.
- Integrated barometric relief.
- Adjustable enthalpy sensor and minimum fresh air position.
- Requires PCP101-103 plenum.