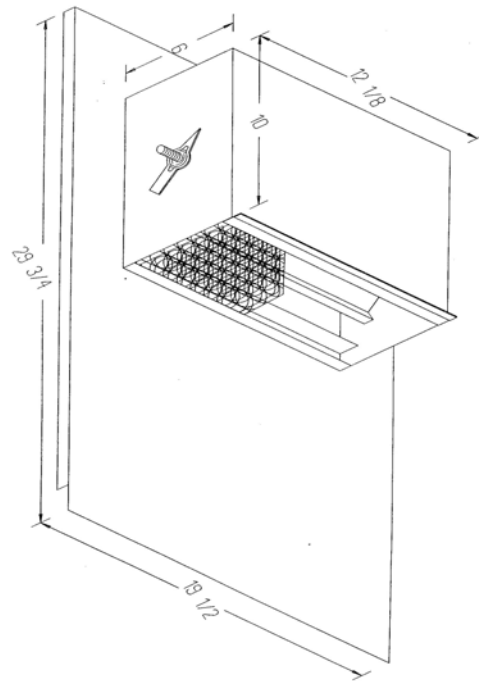


PCMD101-103 MANUAL FRESH AIR DAMPER FOR
GOODMAN/AMANA GPHH13- SEER PACKAGE UNITS

PCMD101-103



MANUAL FRESH AIR DAMPER

- Provides up to 25% fresh air.
- Requires PCP101-103 plenum.