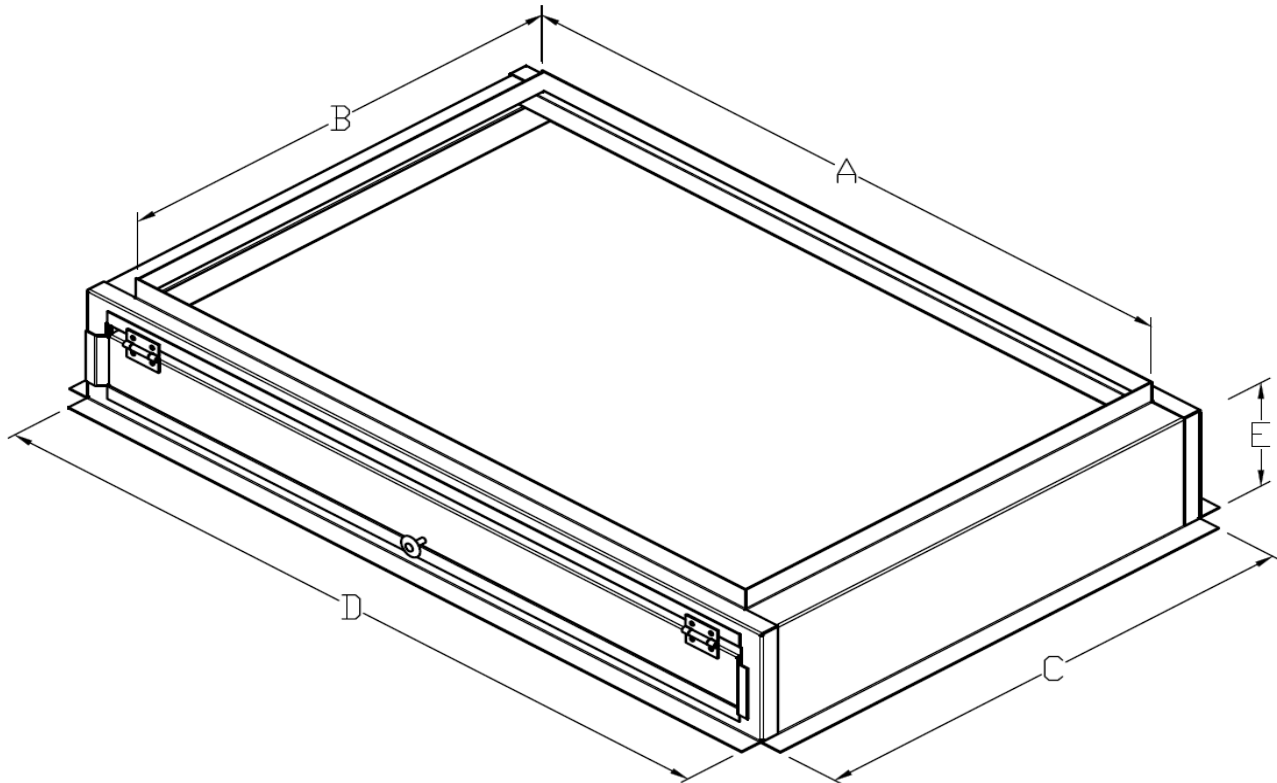


DPHFRA

HORIZONTAL EXTERNAL FILTER RACK FOR
 DAIKIN DP**C/H**M, DP**G/DM**,
 DP**C/H**H, AND FOR GOODMAN GPC/
 H-APC/H****H, GPC/H-APC/H****M,
 GPG-APG****M UNITS.



REQUIRES 16 X 25 X 2" FILTER

	A	B	C	D	E
DPHFRA	24	16	17 1/4	26 1/2	4

1. Remove the horizontal return opening cover.
2. Attach the DPHFRA to the outside of the unit.
3. Connect the return duct to the housing.
4. Install the 16 X 25 X 2 filter. (Provided by others)
5. Seal the connection to the unit and the duct using approved sealant.