

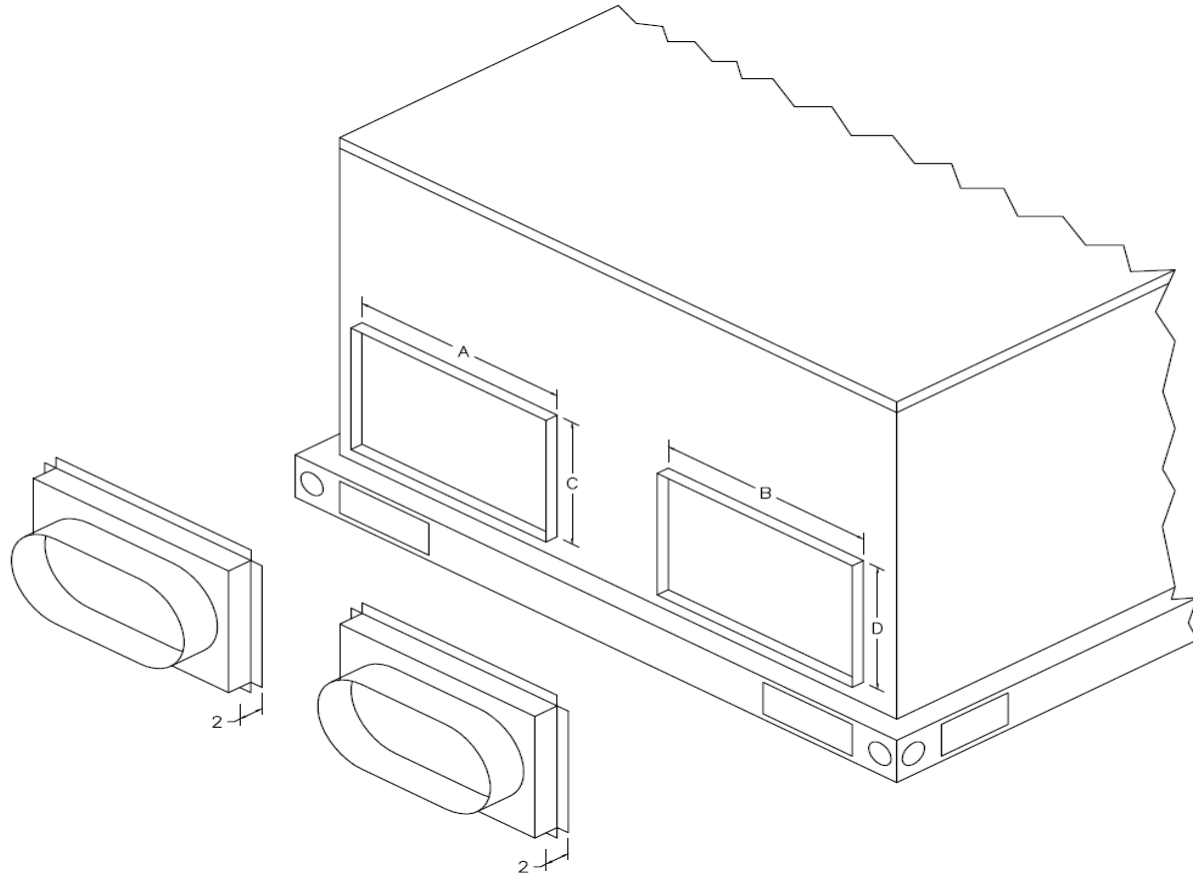
McDaniel Metals

281-987-8400 • 281-987-9494 (fax)
1318 Buschong, Houston, TX 77039
www.mcdanielmetals.com

SQRPGH101/102

SQRPGH103

HORIZONTAL SQUARE TO ROUNDS FOR
DAIKIN DP**G/DM**, DP**C/H**M, AND
GOODMAN GPG-APG****M, GPC/H-APC/
H****M MEDIUM AND LARGE CHASIS



	A	B	C	D	RETURN	SUPPLY
SQRPGH101/102	16	16	16	16	16	16
SQRPGH103	18	18	18	18	18	18

Installation

1. Remove horizontal covers from unit Supply and Return openings.
2. Attach the Square to Rounds to the Supply and Return openings by screwing in from sides.
3. Seal around Square to Round base and secure duct to the Square to Rounds using approved industry methods.