

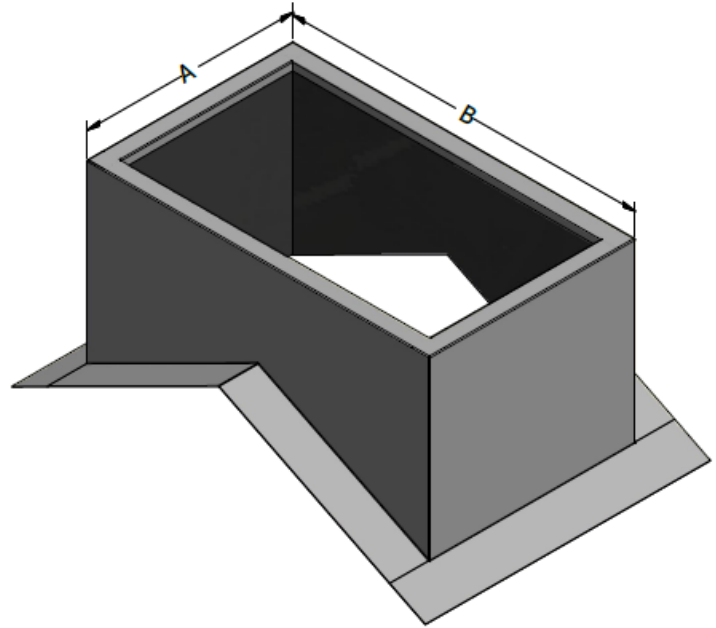
# McDaniel Metals

281-987-8400 • 281-987-9494 (fax)  
 1318 Buschong, Houston, TX 77039  
 www.mcdanielmetals.com

## Double Pitched Fan Curb



Customer	
Ship To	
Project	
P O Number	
Approved By	

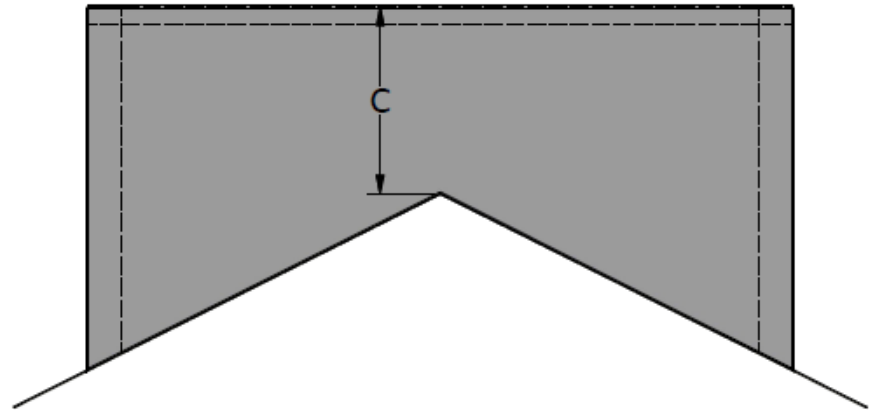


### STANDARD FEATURES

- 3 1/2 Inch Side and Bottom Flanges
- 18 Gauge Galvanized Construction
- Continuous Welded Seams
- 1 1/2 Inch 3# Density Liner

### Options

- Special Height
- Wood Nailer
- Treated Wood Nailer
- Stainless Steel Construction
- Heavy Gauge Galvanized Construction
- Aluminum Construction
- Interior Metal Liner
- Extended Flanges
- Damper Tray (10" Min)
- Curb Cap



Specifications and Dimensions								
Qty	A	B	C	Height	Pitch	Material	TAG#	Options