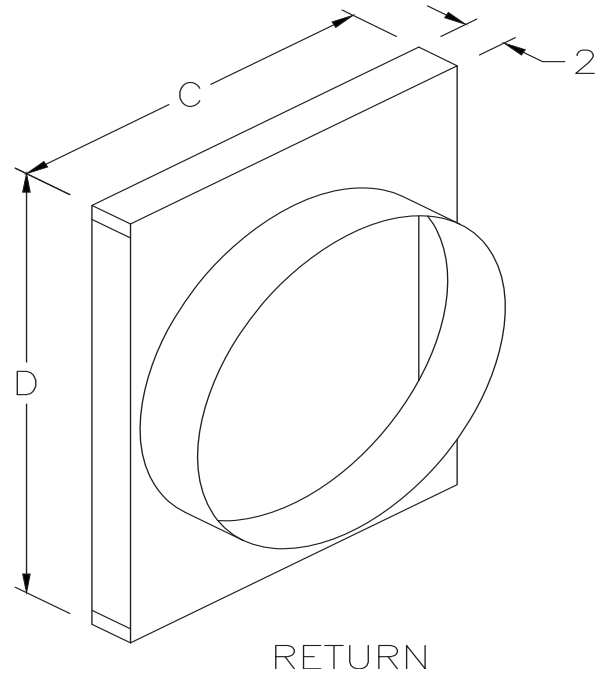
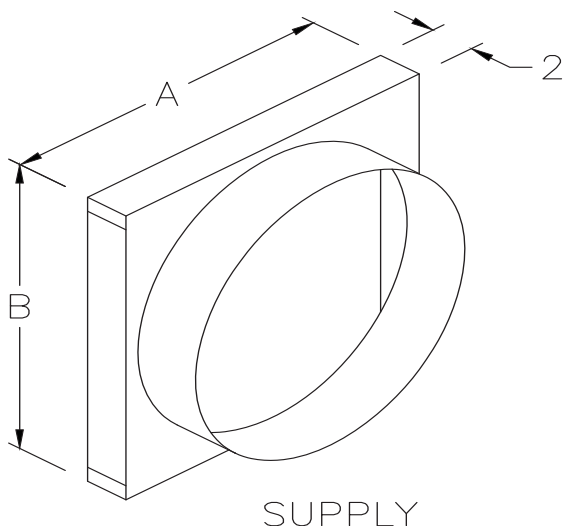




	SQRPCH101	SQRPCH101-14	SQRPCH102-103	SQRPCH102103-14
A	15.25	15.25	17	17
B	15.25	15.25	17	17
C	17	17	19	19
D	22.5	22.5	24.5	24.5
SUP	ø14	ø14	ø16	ø14
RET	ø16	ø14	ø18	ø14



Specifications

22 Gauge Steel Construction

Internally Insulated

Kit Contains Supply and Return Transition

Square Adapters Oversized and Flanged For Easy Attachment