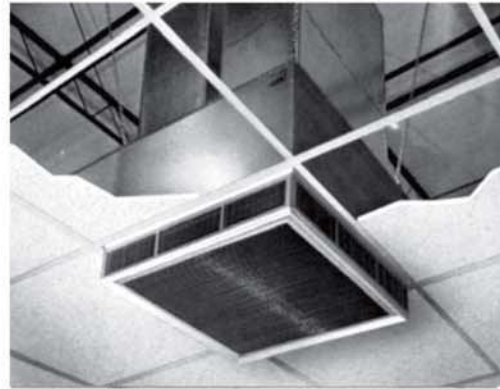
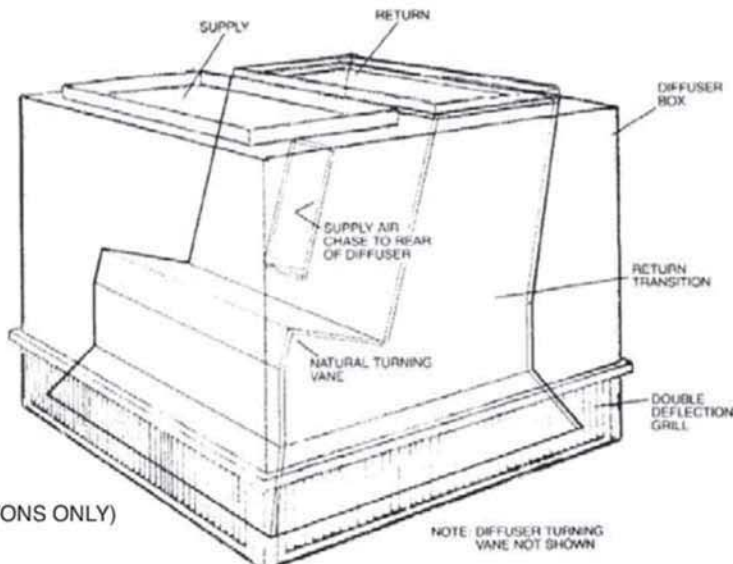


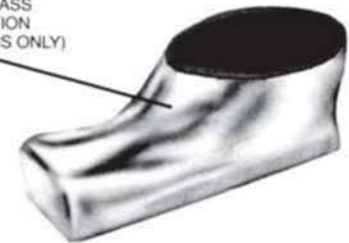
**LIGHT COMMERCIAL  
"T" BAR CEILING**



**COMMERCIAL  
"T" BAR CEILING**



MOLDED  
FIBERGLASS  
TRANSITION  
(THRU 5 TONS ONLY)



(THRU 5 TONS ONLY)

CDK 530 Series concentric diffuser systems are designed to provide single-point air distribution with the added benefit of directional air control. The systems may be used with either "T-Bar" or plaster ceilings.

### Standard Features

- All aluminum diffuser and return air eggcrate
- Double deflection diffuser with blades secured by spring steel
- Built-in, anti-sweat gasket
- Molded fiberglass transition (through 5 tons)
- Built-in hanging supports
- Diffuser box constructed of fiberglass ductboard (through 7.5 tons) or sheet metal

### Standard Benefits

- Even, four-way airflow
- All exposed surfaces below ceiling are brushed aluminum
- Factory assembled and sealed
- Guaranteed not to sweat
- Guaranteed not to recirculate air flow (short cycle)
- Return air eggcrate is easily removable
- Units are fully insulated (supply/return)
- Lightweight design

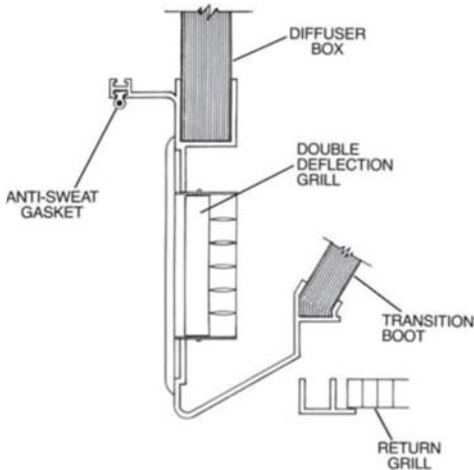
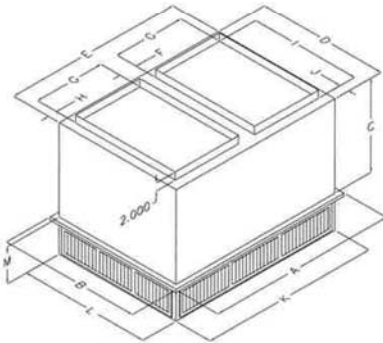
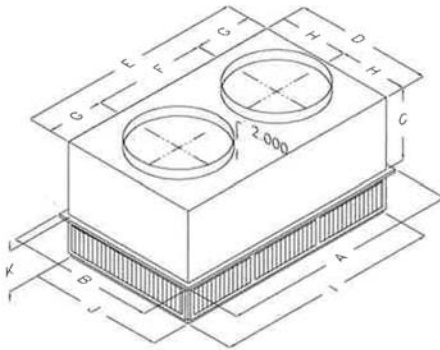


### Dimensional Data

Model No.	A	B	C	D	E	F	G	H	I	J	K	L	M	Duct Size
CDK36-530	47 5/8	23 5/8	11 3/8	21 1/2	45 1/2	22 1/2	11 1/2	10 3/4	45 1/2	21 1/2	7 1/8	-	-	16RD
CDK4872-530	47 5/8	23 5/8	11 3/8	21 1/2	45 1/2	22 1/2	11 1/2	10 3/4	45 1/2	21 1/2	7 1/8	-	-	18RD
CDK90102-530	47 5/8	29 5/8	14 3/8	27 1/2	45 1/2	22 1/2	11 1/2	13 3/4	45 1/2	27 1/2	8 1/8	-	-	20RD

Model No.	A	B	C	D	E	F	G	H	I	J	K	L	M	Duct Size
CDK120-530	47 5/8	35 5/8	20 5/8	33 1/2	45 1/2	4 1/2	18	2 1/2	28	2 3/4	45 1/2	33 1/2	9 1/8	18x28
CDK150-530	47 5/8	41 5/8	24 5/8	39 1/2	45 1/2	4 1/2	18	2 1/2	32	3 3/4	45 1/2	39 1/2	9 1/8	18x32
CDK180-530	47 5/8	47 5/8	24 5/8	45 1/2	45 1/2	4 1/2	18	2 1/2	36	4 3/4	45 1/2	45 1/2	10 1/8	18x36
CDK240-530	59 5/8	59 5/8	30 5/8	57 1/2	57 1/2	4 1/2	24	2 1/2	48	4 3/4	57 1/2	57 1/2	11 1/8	24x48
CDK300-530	65 5/8	65 5/8	40 1/2	63 1/2	63 1/2	4 1/2	28	1 1/2	60	1 3/4	63 1/2	63 1/2	12 1/8	28x60

### Engineering Data



### Typical Specifications

The system shall consist of an aluminum double supply diffuser with an aluminum eggcrate return. All exposed surfaces **below the ceiling** must be of brushed aluminum. It shall have permanent (non-adhesive) anti-sweat gaskets and hanging supports. All units that are five tons or less will have molded fiberglass interior transitions.

Part No.	CFM	Statistical Pressure	Throw Feet	Neck Vel.	Jet Vel.	Noise Level
CDK36-530	600	.09	8-15	210	210	20
	800	.11	9-16	281	281	20
	1000	.14	10-17	351	351	20
	1200	.17	11-18	421	421	20
	1400	.20	12-19	491	491	20
CDK4872-530	1200	.17	11-18	421	421	20
	1400	.20	12-19	491	491	20
	1600	.24	12-20	561	561	20
	1800	.30	13-21	632	632	20
	2000	.36	14-23	702	702	20
CDK90102-530	2200	.40	16-25	772	772	20
	2600	.17	24-29	669	669	20
	2800	.20	25-30	720	720	25
	3000	.25	27-33	772	772	25
	3200	.31	28-35	823	823	25
CDK120-530	3400	.37	30-37	874	874	30
	3600	.17	25-33	851	851	30
	3800	.18	27-35	898	898	30
	4000	.21	29-37	946	946	30
	4200	.24	32-40	993	993	30
CDK150-530	4400	.27	34-42	1040	1040	30
	4600	.31	26-31	841	841	30
	4800	.32	27-32	878	878	30
	5000	.34	28-33	915	915	30
	5200	.36	28-34	951	951	30
CDK180-530	5400	.39	29-35	988	988	30
	5600	.36	39-49	920	920	30
	5800	.39	42-51	954	954	30
	6000	.42	44-54	1022	1022	30
	6200	.46	45-55	1056	1056	30
CDK240-530	6400	.50	46-55	1090	1090	30
	6600	.54	47-56	1124	1124	30
	7200	.39	33-38	827	827	25
	7600	.43	36-41	873	873	25
	8000	.50	39-44	918	918	30
CDK300-530	8400	.56	43-49	964	964	30
	8800	.63	47-55	1010	1010	30
	10000	.51	46-54	907	907	30
	10500	.58	50-58	953	953	30
	11000	.65	53-61	998	998	30
11500	.73	55-64	1043	1043	30	
12000	.82	58-67	1089	1089	30	
12500	.91	61-71	1134	1089	30	
13000	1.00	64-74	1179	1179	35	

### NOTES

1. All data is based on Air Diffusion Council guidelines
2. Throw data is based on terminal velocity of 75 FPM using isothermal air
3. Actual noise levels are less than shown