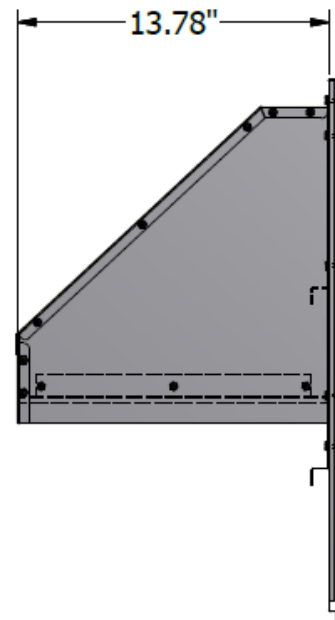
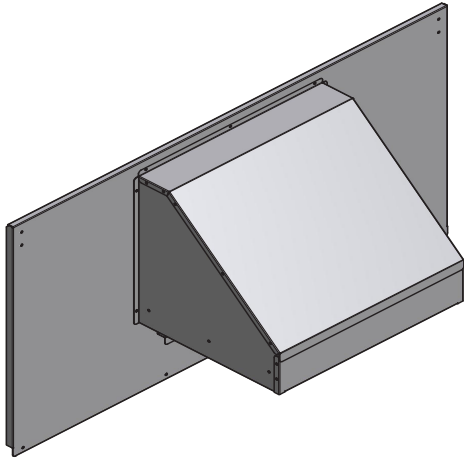


# McDaniel Metals

281-987-8400 • 281-987-9494 (fax)  
1318 Buschong, Houston, TX 77039  
www.mcdanielmetals.com

## D50(M)FD3672

MANUAL/ MOTORIZED 50%  
FRESH AIR DAMPER FITS  
DAIKIN D\*G036-072,  
D\*H036-072, D\*C036-072



### APPLICATION

Most building codes require a certain amount of fresh air to overcome the effects of CO<sub>2</sub> during times when the space is occupied. Use of fresh air dampers on HVAC equipment is an inexpensive way to allow fresh air into the building. McDaniel Metals offers both a manual and motorized fresh air damper to fit Daikin light commercial packaged equipment. The manual fresh air damper is installed and fixed in place to allow a certain amount of fresh air to circulate at all times. The motorized fresh air damper includes a small two position actuator that opens the damper when the indoor blower is running and closes the damper when the blower turns off.

