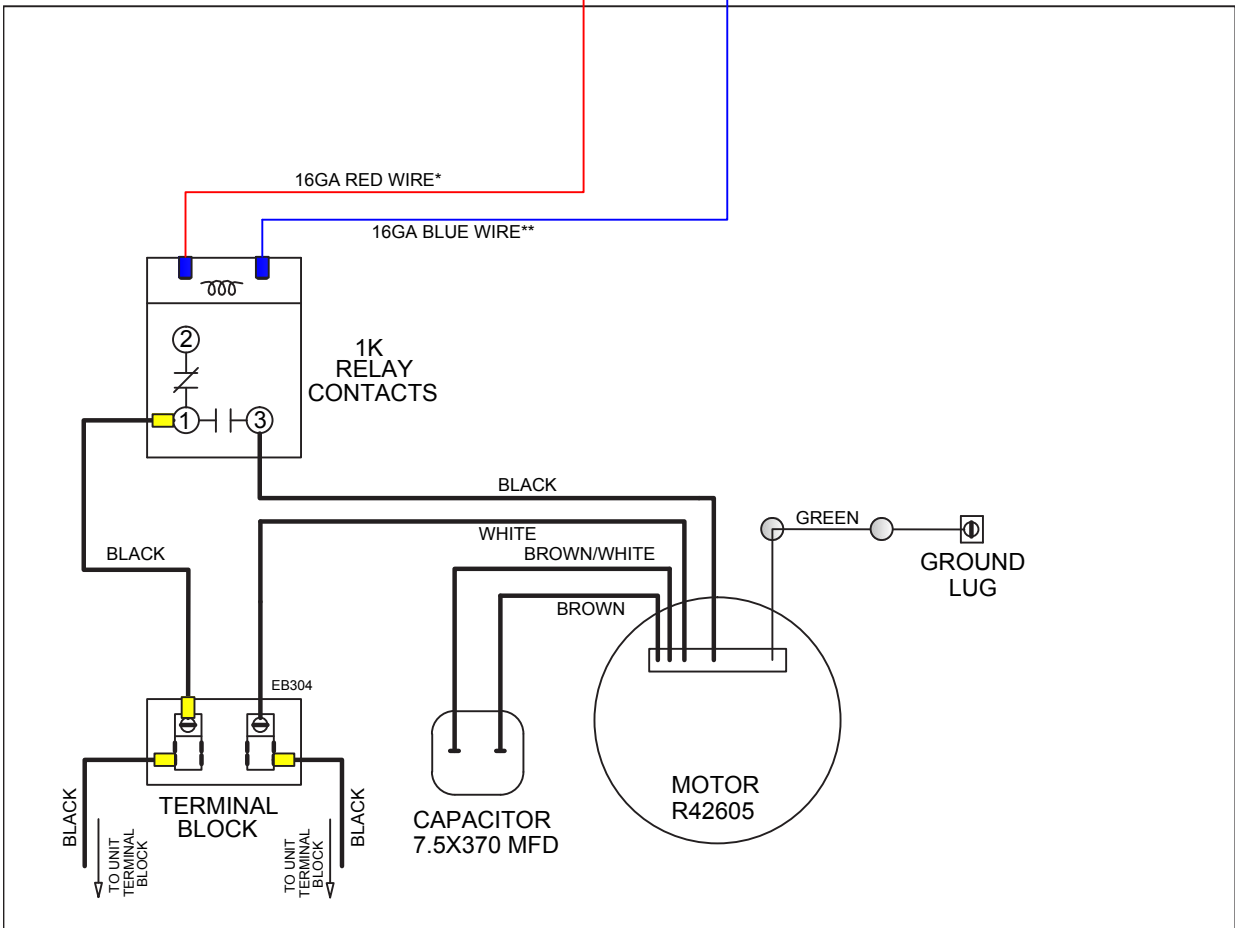
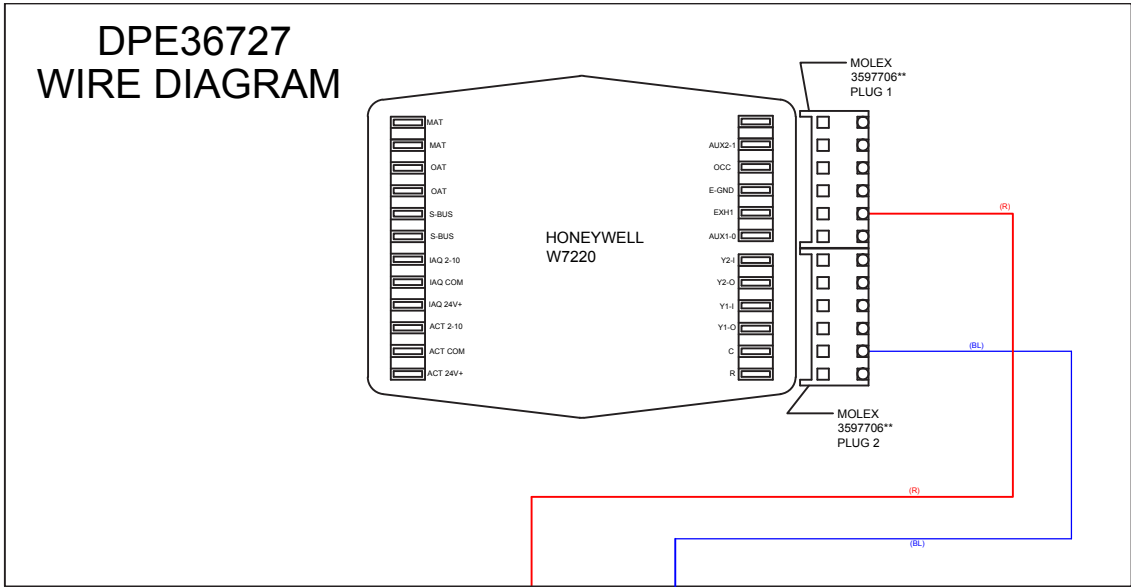


DPE36727 WIRE DIAGRAM



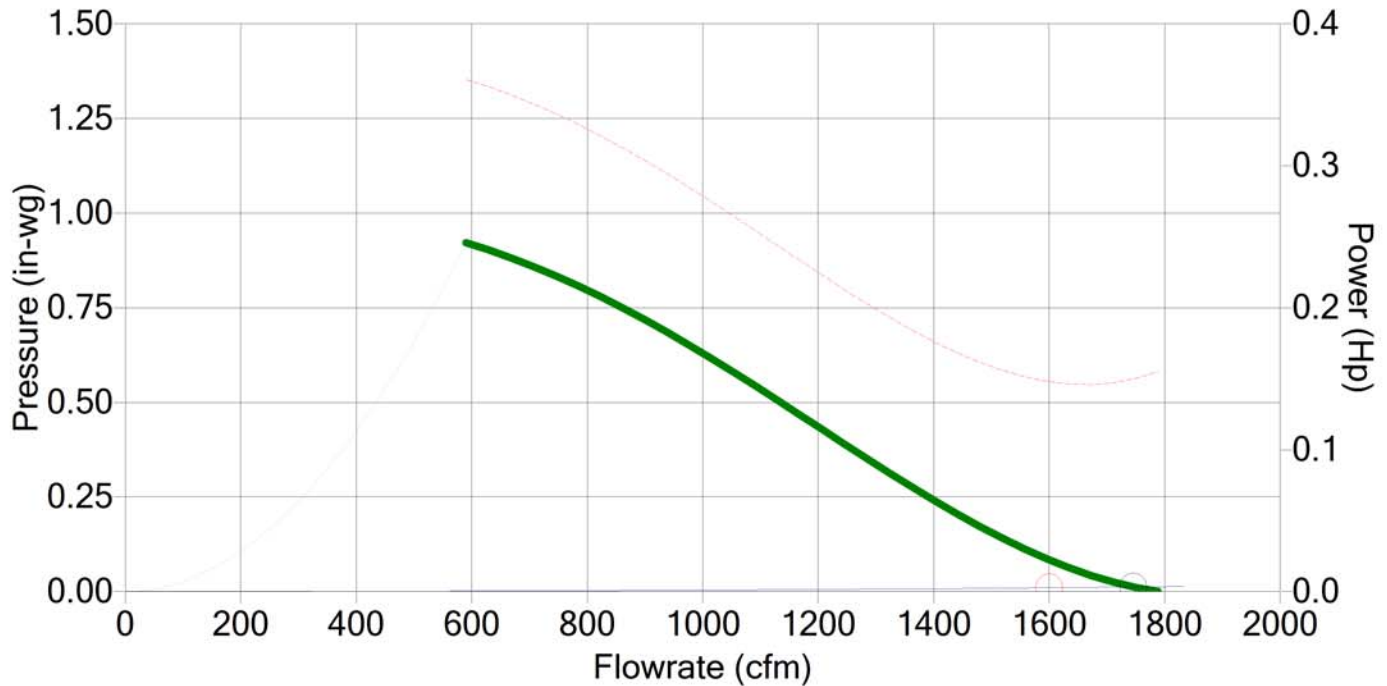
Lau Selection #1



MODEL F02F141437

Selection Input	Input Flow 1600 CFM	Input Pressure 0.01 in-wg	Temperature 70 F	Altitude 0 ft	Q Derate 0 CFM	P Derate 0.00 in-wg	VAV Set Point 0.00 in-wg		Date 12-03-2015
Selection Output	Flow 1746 CFM	Pressure 0.01 in-wg	Power 0.15 hp	Static Efficiency 2.2 %	Total Efficiency 27.2 %	Speed 1625 rpm	Outlet Velocity 1518 fpm		
	Impeller Diameter 14.0 in	Outlet Area 1.15 ft ²	Max Speed 1800 rpm	Pitch 37 deg	Drive Direct Drive	Blades 4	P Volume N/A	Turndown 100 %	

Performance



Sound	63	125	250	500	1000	2000	4000	8000	Lw	LwA
	N/A	N/A	N/A	N/A	N/A	N/A	N/A	N/A	N/A	N/A

Options

- Available Bore: 5/16, 3/8, 1/2 and 5/8 inch
- Keyway: Available in bore sizes 1/2 inch or larger
- Blade Material: Aluminum
- Spider Material: Painted Steel, Galvanized Steel
- Hub Location: Discharge side, Inlet side
- Set Screw Quantity: 1 or 2
- Rotation: Determine rotation by viewing discharge side of prop
Clockwise or counterclockwise

A
14.00

Dimensions in inches

Notes: Airflow performance data are obtained in accordance with AMCA 210-07. Installed performance will vary depending on extent of cabinet geometry