

McDaniel Metals

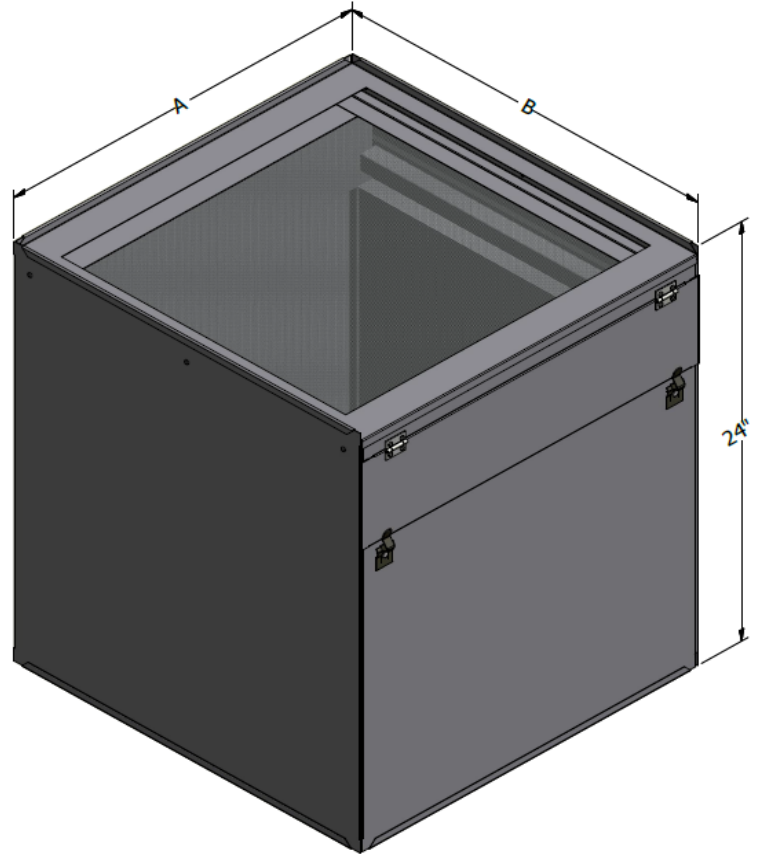
281-987-8400 • 281-987-9494 (fax)
1318 Buschong, Houston, TX 77039
www.mcdanielmetals.com

UFFPE(G)(I)-2

24" TALL UPFLOW FILTER
PLENUMS FOR ELECTRIC
AIR AND GAS FURNACES

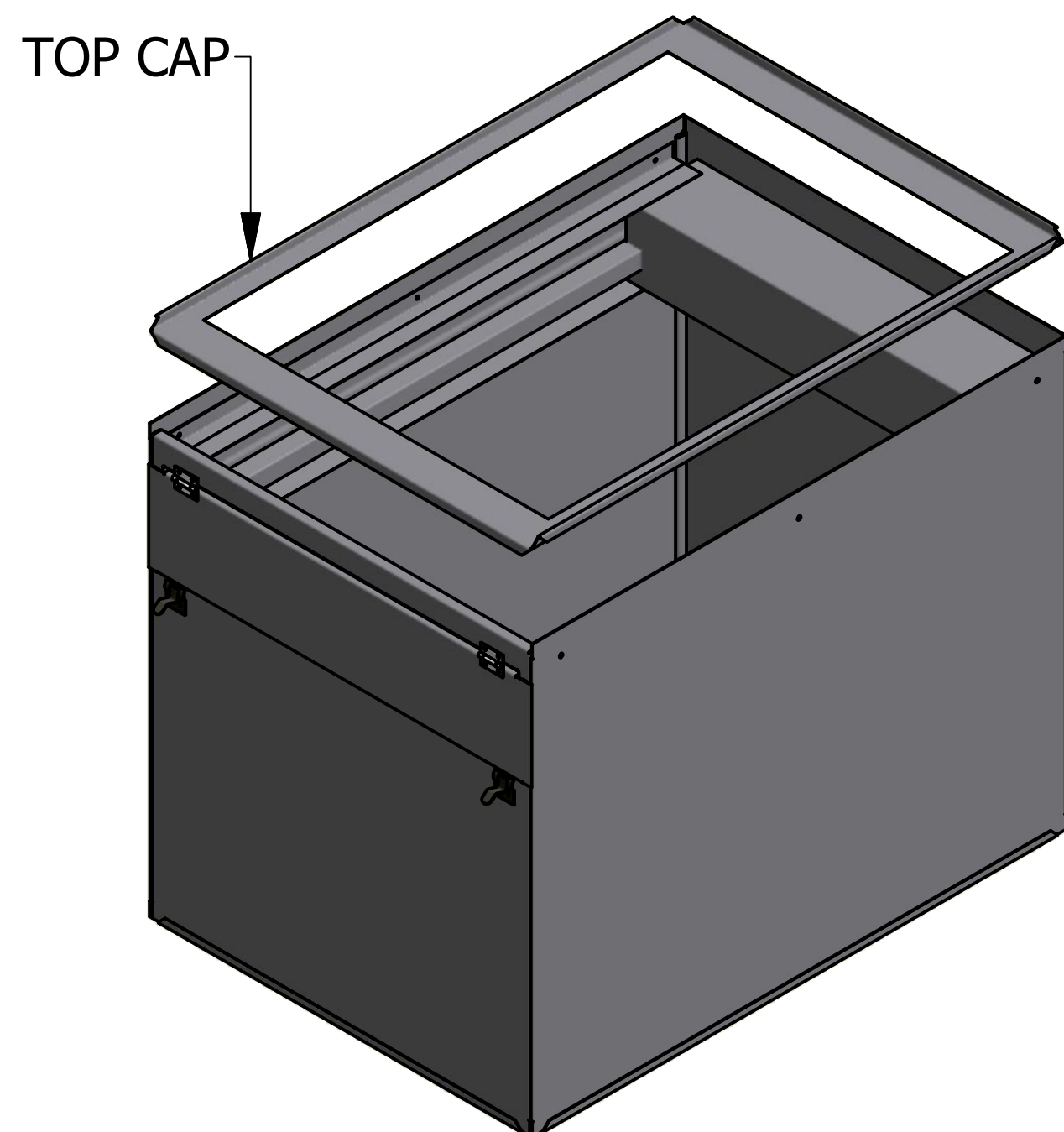
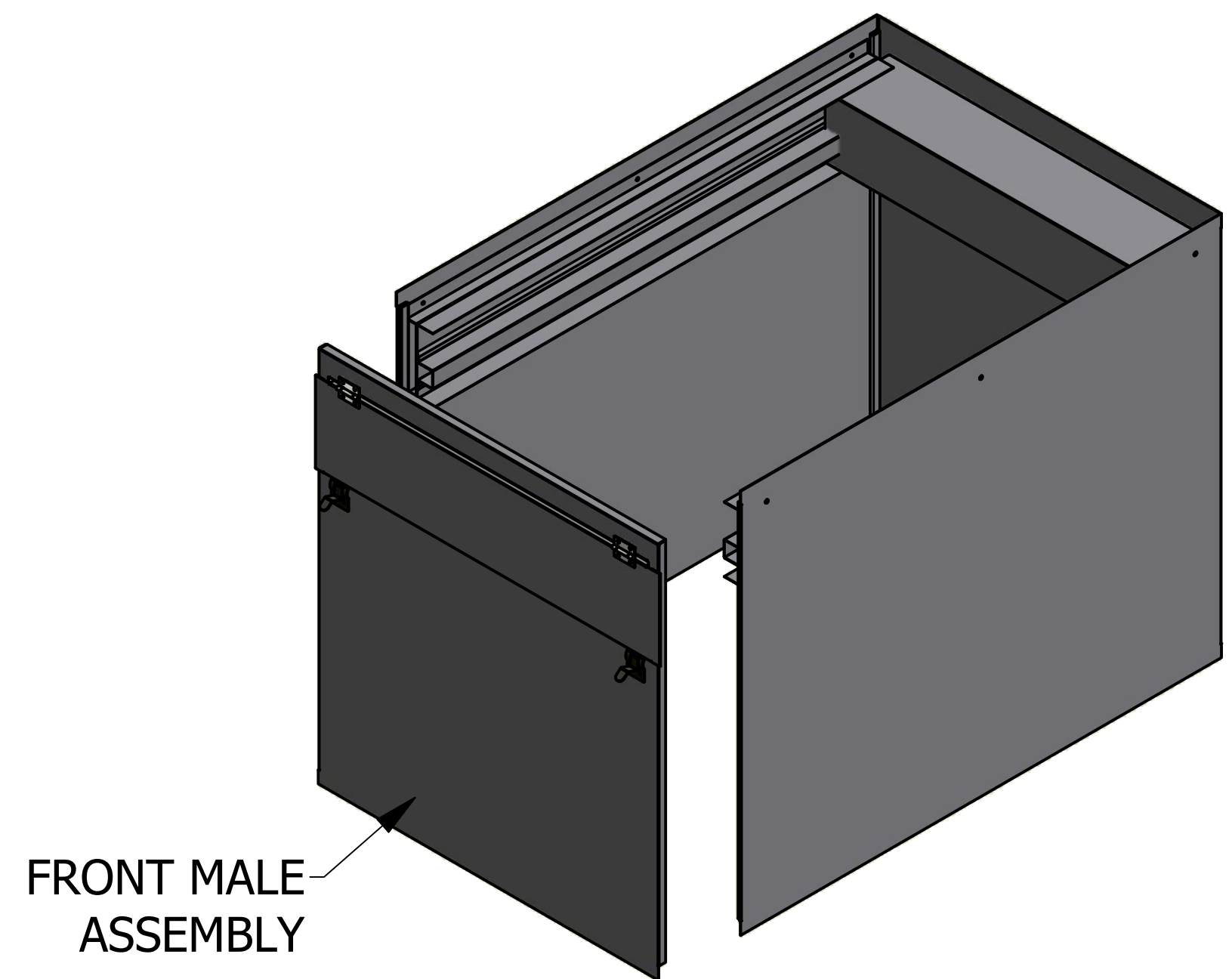
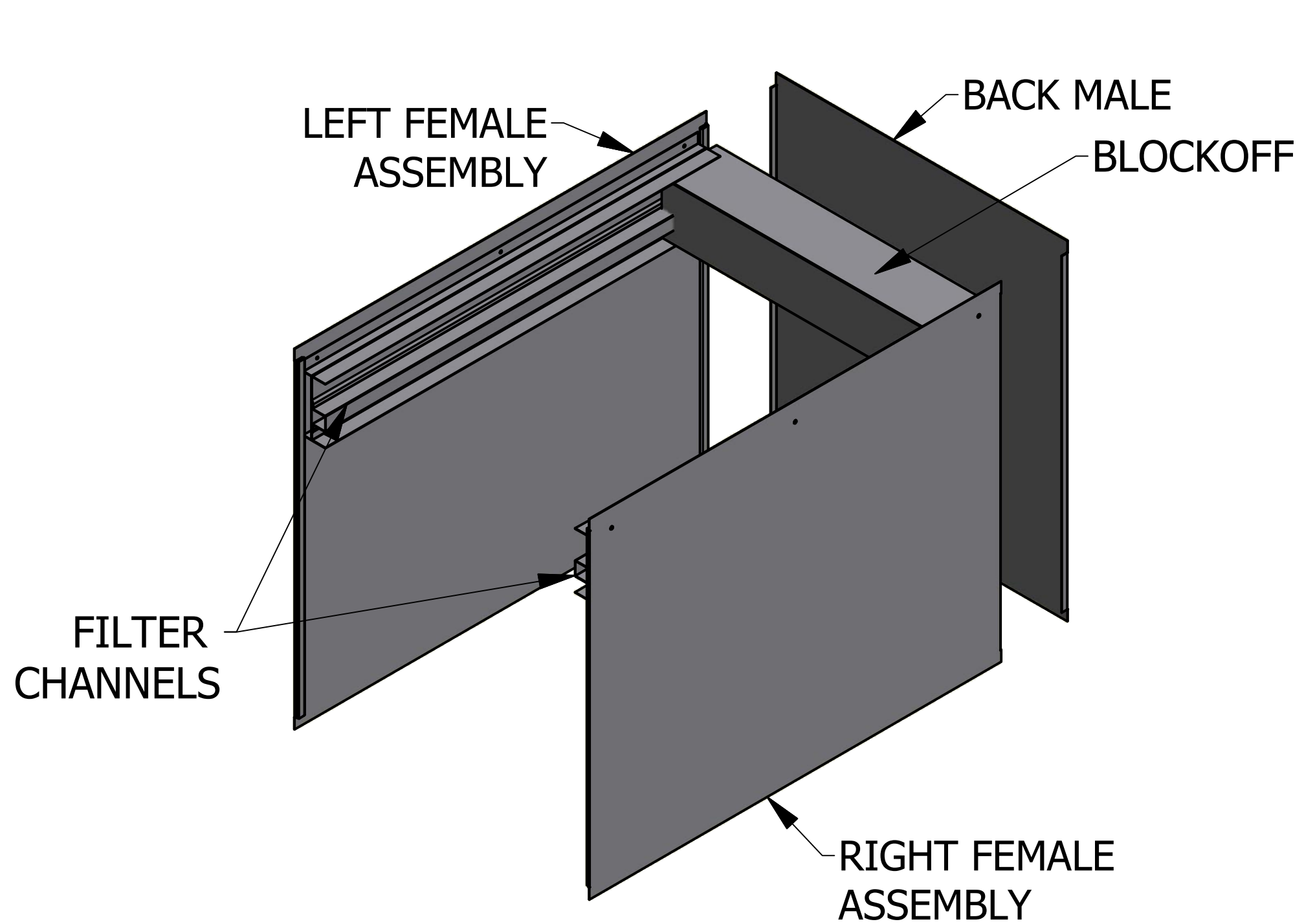


- Spring-hinged door for easy access
- Gasketed door for tight seal
- Adjustable rack for 1", 2" and 4" filters
- Uses standard filters
- 1.5-5 ton models available
- Return access on sides and rear
- No need for construction platform
- 24-gauge steel construction
- Hardware-free filter access
- Uninsulated or Insulated R6 (I)

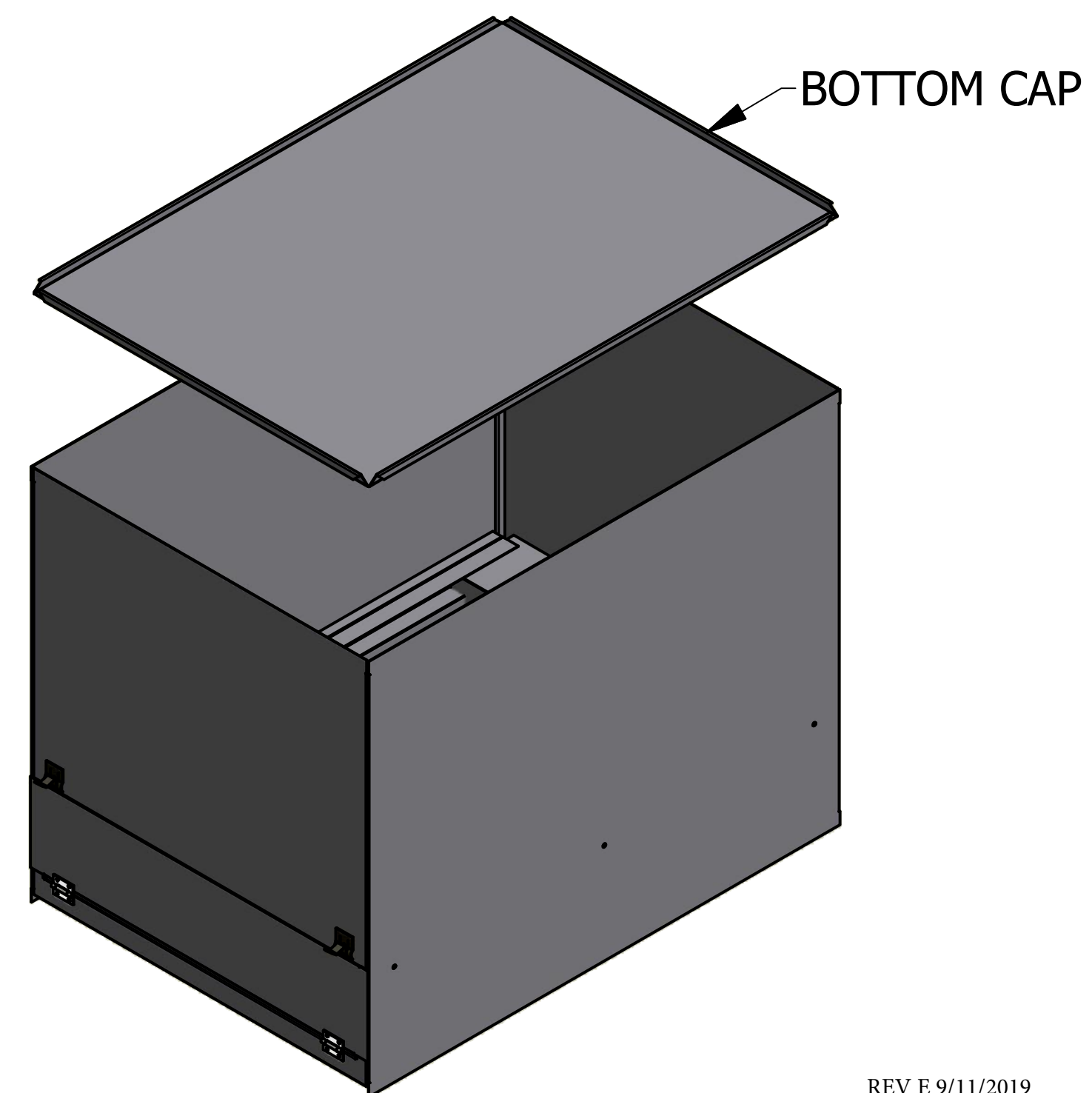


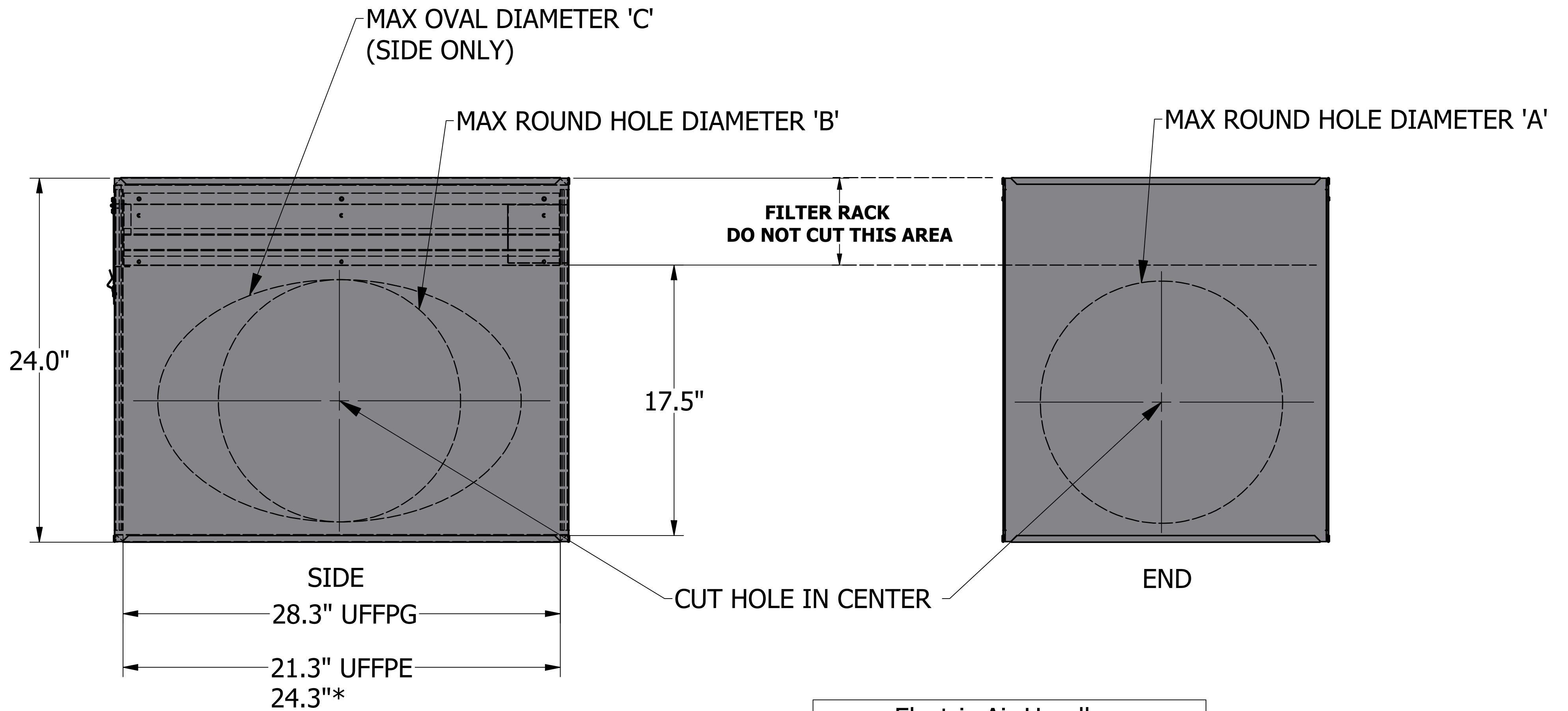
Gas Upflow Furnaces			
MODEL	A	B	FILTER SIZE
UFFPG14-2	15 1/2	29.3	14 X 25
UFFPGI14-2	15 1/2	29.3	14 X 25
UFFPG17-2	17 1/2	29.3	16 X 25
UFFPGI17-2	17 1/2	29.3	16 X 25
UFFPG21-2	21 1/2	29.3	20 X 25
UFFPGI21-2	21 1/2	29.3	20 X 25
UFFPG24-2	25 1/2	29.3	24 X 24
UFFPGI24-2	25 1/2	29.3	24 X 24

Electric Air Handlers			
MODEL	A	B	FILTER SIZE
UFFPE14-2	15 1/2	22.3	14 X 20
UFFPEI14-2	15 1/2	22.3	14 X 20
UFFPE17-2	17 1/2	22.3	16 X 20
UFFPEI17-2	17 1/2	22.3	16 X 20
UFFPE21-2	21 1/2	22.3	20 X 20
UFFPEI21-2	21 1/2	22.3	20 X 20
UFFPE24-2	26 1/2	22.3	25 X 20
UFFPEI24-2	26 1/2	22.3	25 X 20
UFFPE24N-2	21 1/2	25.3	20 X 25
UFFPEI24N-2	21 1/2	25.3	20 X 25



1. ATTACH RIGHT AND LEFT SIDES TO BACK MALE.
2. REMOVE FILTER CHANNELS FROM SIDES.
3. SLIDE BLOCKOFF TO BACK OF FILTER ASSEMBLY.
4. REINSERT FILTER CHANNELS. (IF USING 4" FILTER, DO NOT REINSERT CHANNELS.)
5. ATTACH FRONT MALE ASSEMBLY.
6. ATTACH TOP CAP AND SECURE AT CORNERS.
7. ATTACH BOTTOM CAP AND SECURE AT CORNERS.





Gas Upflow Furnaces			
MODEL	A	B	C
UFFPG14-2	14	16	20
UFFPGI14-2	14	16	20
UFFPG17-2	16	16	20
UFFPGI17-2	16	16	20
UFFPG21-2	16	16	20
UFFPGI17-2	16	16	20
UFFPG24-2	16	16	20
UFFPGI24-2	16	16	20

Electric Air Handlers			
MODEL	A	B	C
UFFPE14-2	14	16	18
UFFPEI14-2	14	16	18
UFFPE17-2	16	16	18
UFFPEI17-2	16	16	18
UFFPE21-2	16	16	18
UFFPEI21-2	16	16	18
UFFPE24-2	16	16	18
UFFPEI24-2	16	16	18
UFFPE24N-2*	16	16	20
UFFPEI24N-2*	16	16	20