

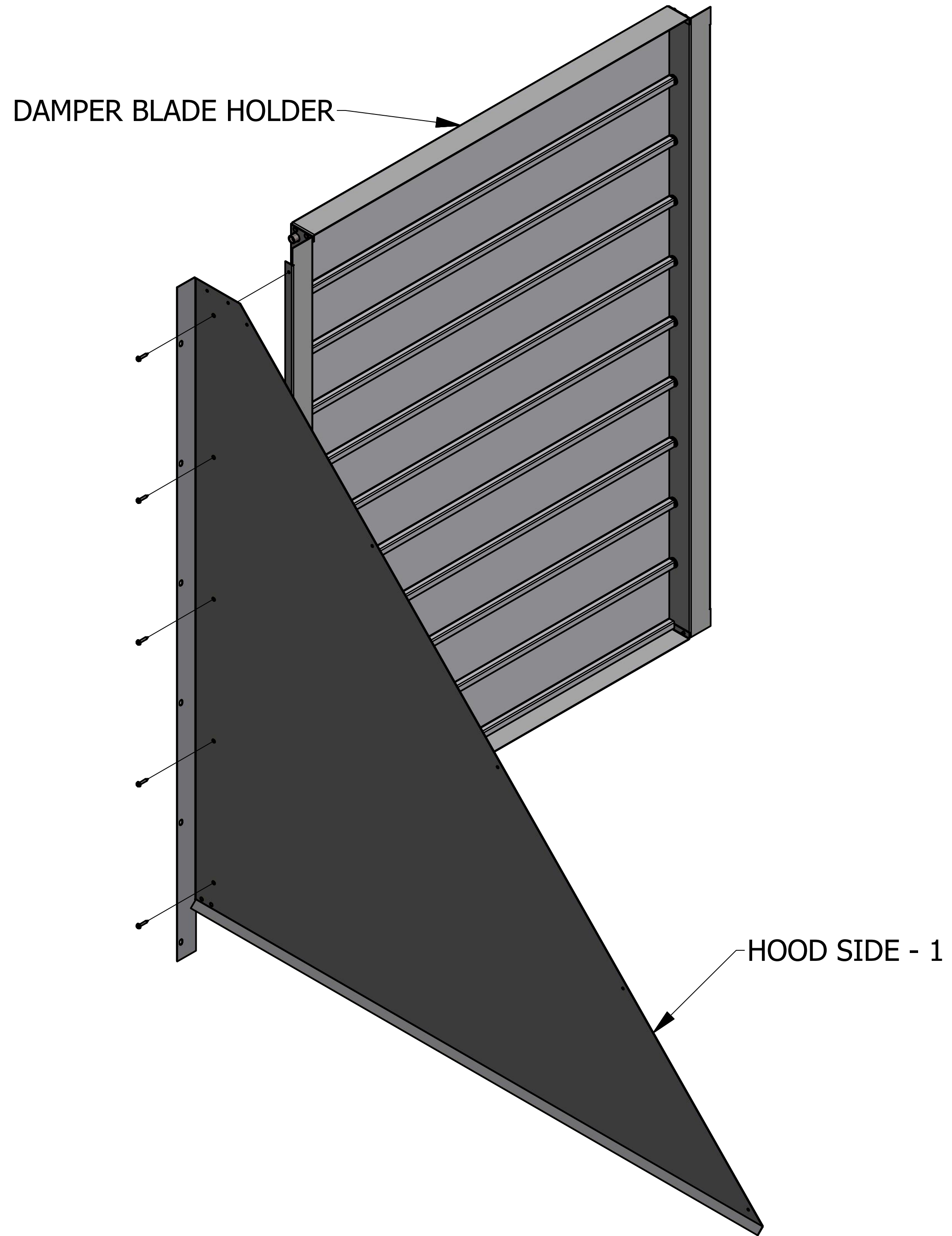
INSTALLATION

1. Open package and inspect parts for damage.
2. Remove bottom horizontal return duct opening cover and retain screws.
3. Assemble damper according to instructions and secure over opening.

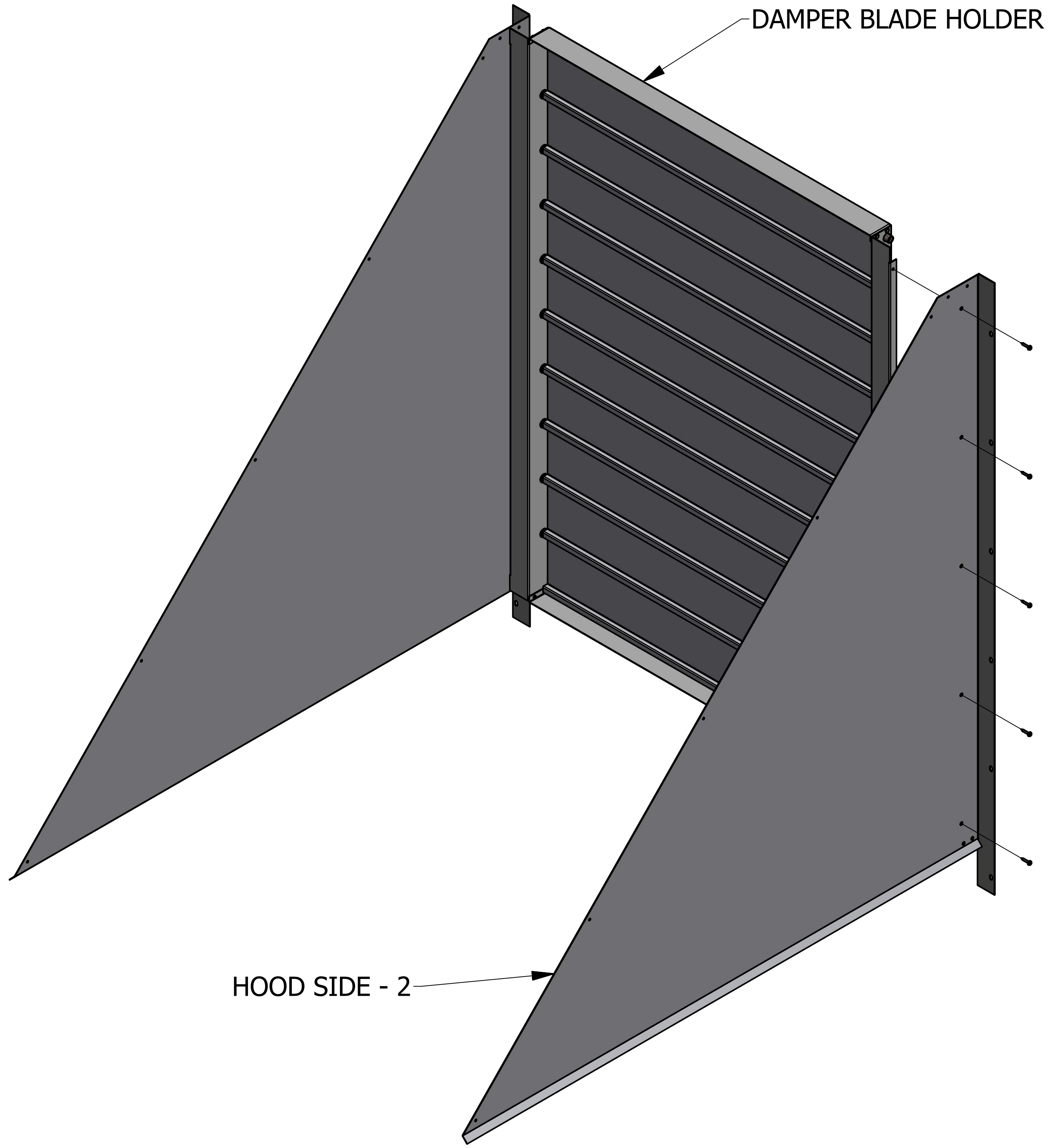
PACKAGE INCLUDES;

- 1 - Hood Side 1
- 1 - Hood Side 2
- 1 - Hood Heel
- 1 - Hood Bottom
- 1 - Damper Blade Holder Assembly
- 28 - 5/16 Screws

Step 1
Attach Hood Side 1 To Damper
Blade Holder.



Step 2
Attach Hood Side 2 To Damper
Blade Holder.



Step 3
Attach Hood Bottom to Damper
Blade Holder.

