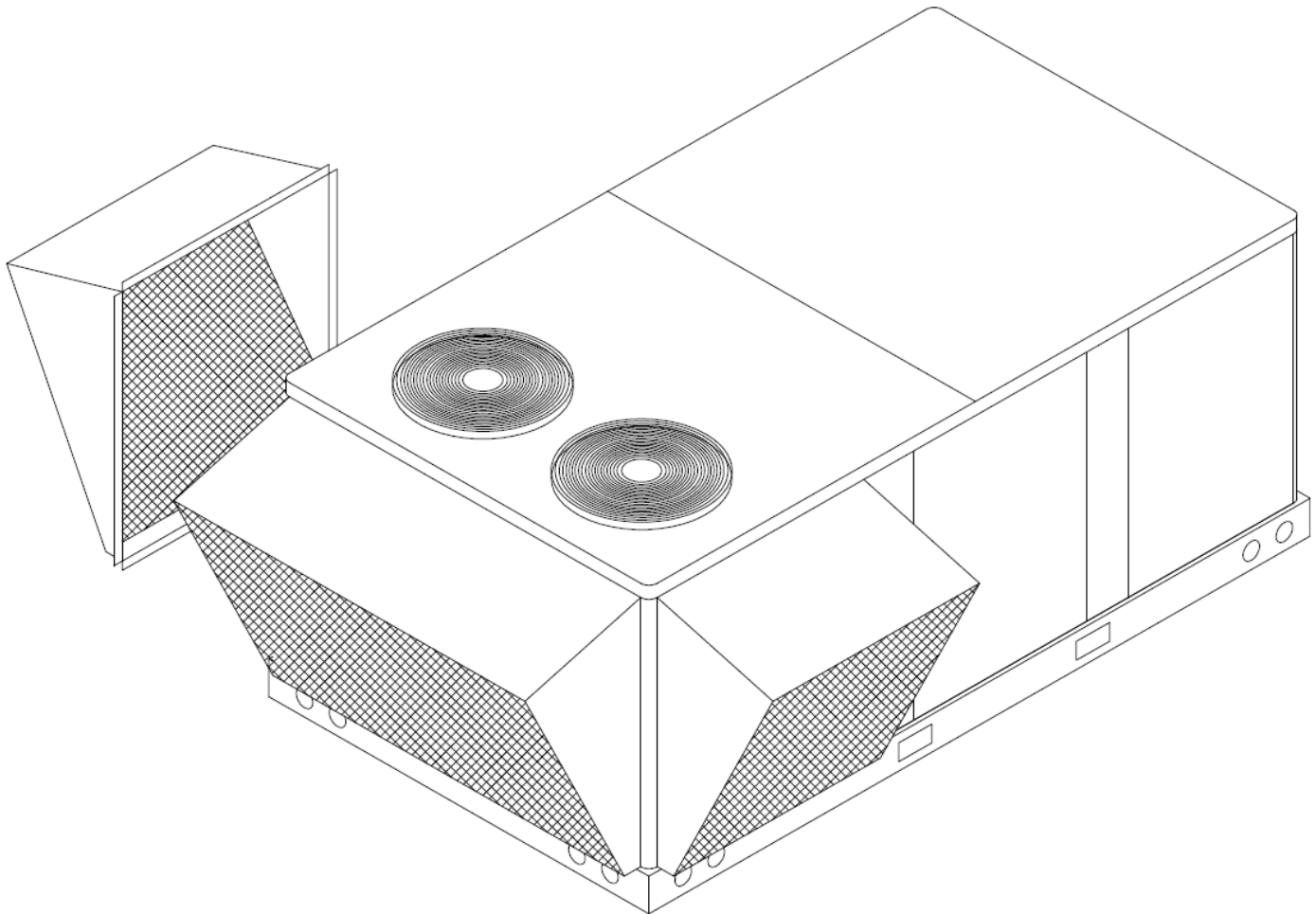


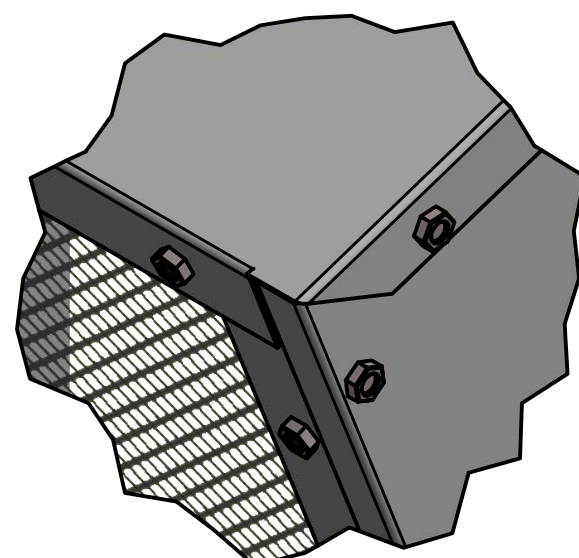
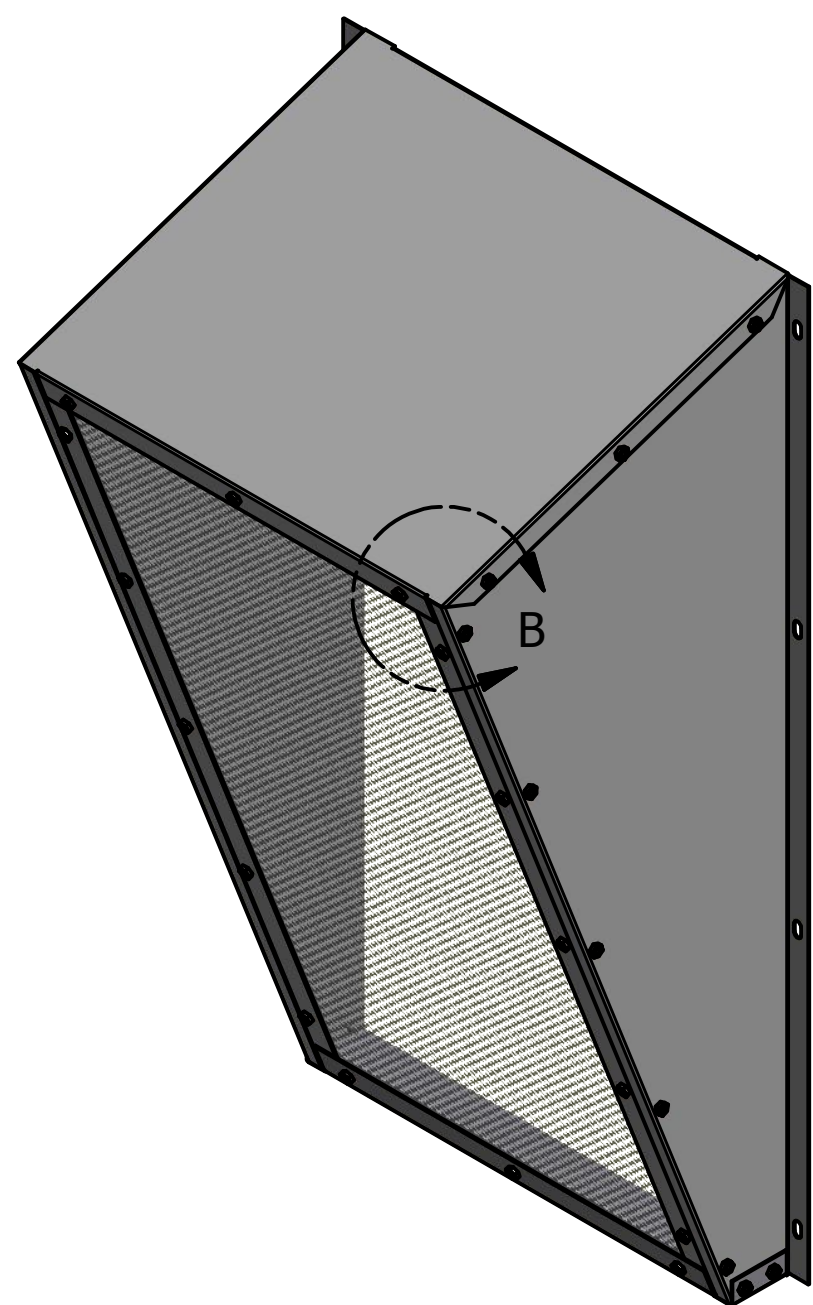


Application

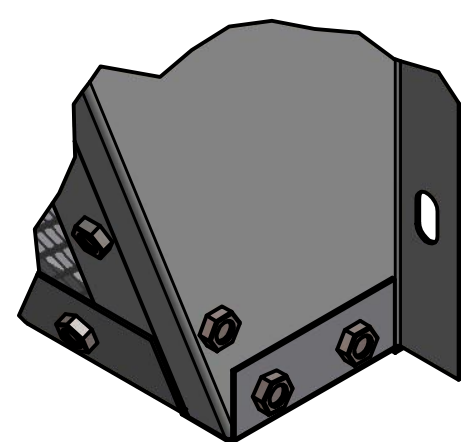
Hail guards are coil protection devices designed to prevent damage to exposed condenser coils from weather and other outside agents. McDaniel Metals' hail guards are painted to match the units and designed for easy installation. Fit the hail guard onto the unit so that the flanges on the part are aligned with the corner posts and top and base pan of the unit and secure with screws provided.



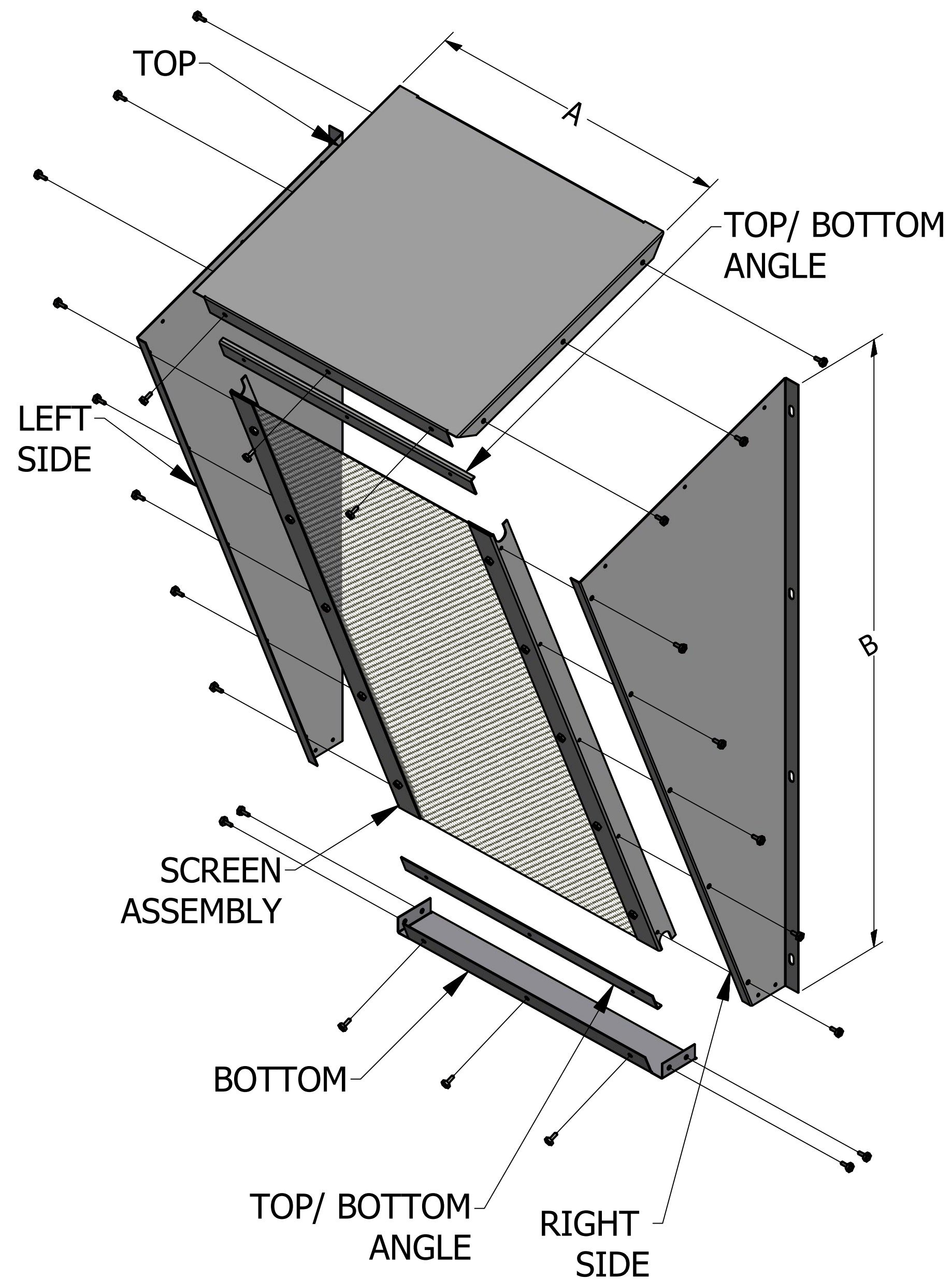
- 1- ATTACH LEFT SIDE TO BOTTOM
- 2- ATTACH RIGHT SIDE TO BOTTOM
- 3- ATTACH TOP TO LEFT AND RIGHT SIDES
- 4- INSERT SCREEN ASSEMBLY FROM REAR,
AND ATTACH TO LEFT AND RIGHT SIDES
- 5- ATTACH TOP AND BOTTOM ANGLES
(BEHIND SCREEN)
- 6- SECURE TO UNIT



DETAIL B



DETAIL A



KIT INCLUDES;

- 1 - LONG TOP
- 1 - LONG BOTTOM
- 1 - MEDIUM TOP
- 1 - MEDIUM BOTTOM
- 1 - SMALL TOP
- 1 - SMALL BOTTOM
- 3 - LEFT SIDES
- 3 - RIGHT SIDES
- 2 - SHORT TOP/ BOTTOM ANGLES
- 2 - MEDIUM TOP/ BOTTOM ANGLES
- 2 - LONG TOP/ BOTTOM ANGLES
- 1 - 36 9/16 X 27 3/4 SCREEN ASSEMBLY
- 1 - 28 3/32 X 27 3/4 SCREEN ASSEMBLY
- 1 - 19 3/8 X 27 3/4 SCREEN ASSEMBLY
- 90 - #10 X 1/2 RAPID PEIRCING SCREWS
- 24 - #10 X 1/2" SELF PIERCING SCREWS

HAIL GUARD SIZES		
GUARD	A	B
A	36 3/4"	30"
B	19 1/2"	30"
C	28 1/4"	30"

135-YX-002T