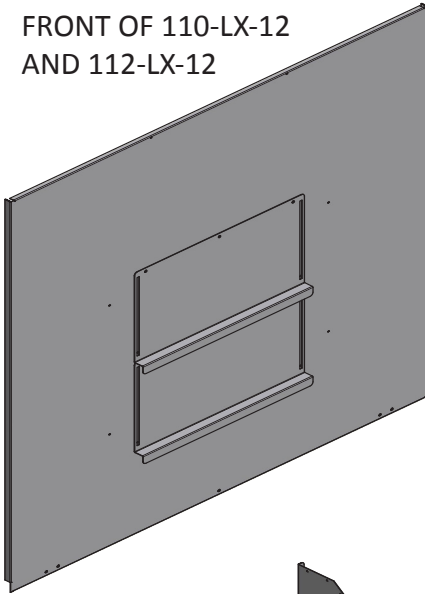


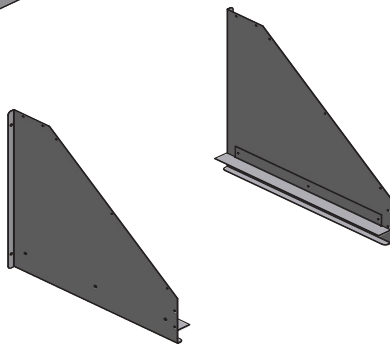
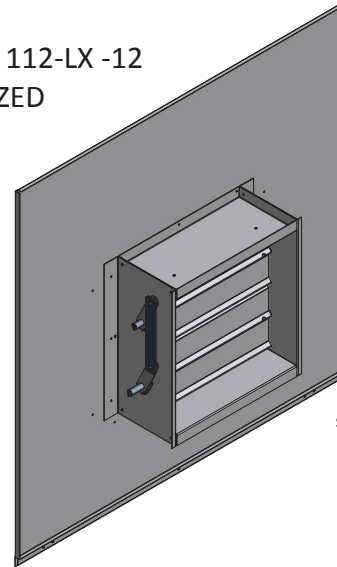


FRONT OF 110-LX-12
AND 112-LX-12

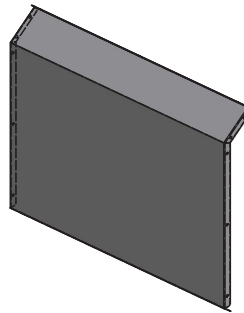


PANEL WITH DAMPER SLIDES
ATTACHED

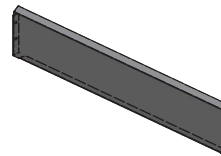
BACK OF 112-LX -12
MOTORIZED



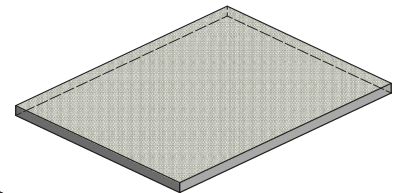
HOOD SIDES



HEEL



FILTER ACCESS



17 3/4" X 13 3/4"
ALUMINUM MIST ELIMINATOR

Manual Damper Instructions

1. Disconnect power from the unit.
2. Remove unit end panel. Retain screws.
3. Assemble the fresh air hood sides and heel.
4. Attach foam gasket on the inside flange of the hood and attach the assembled hood to the replacement damper end panel.
5. Loosen the set screws on the slide dampers and adjust to desired damper opening.
6. Tighten set screws.
7. Install the mist eliminator into the hood and install the filter access on the hood.

Motorized Damper Instructions

1. Disconnect power from the unit.
2. Remove unit end panel. Retain screws.
3. Assemble the fresh air hood sides and heel.
4. Attach foam gasket on the inside flange of the hood and attach the assembled hood to the replacement damper end panel.
5. Loosen the set screws on the slide dampers and adjust to desired damper opening.
6. Tighten set screws.
7. Install the mist eliminator into the hood and install the filter access on the hood.
8. Remove the filter access panel and locate the accessory plug.
9. Remove the factory jumper from the female unit plug and connect the male damper plug.
10. Reinstall the filter access panel.

