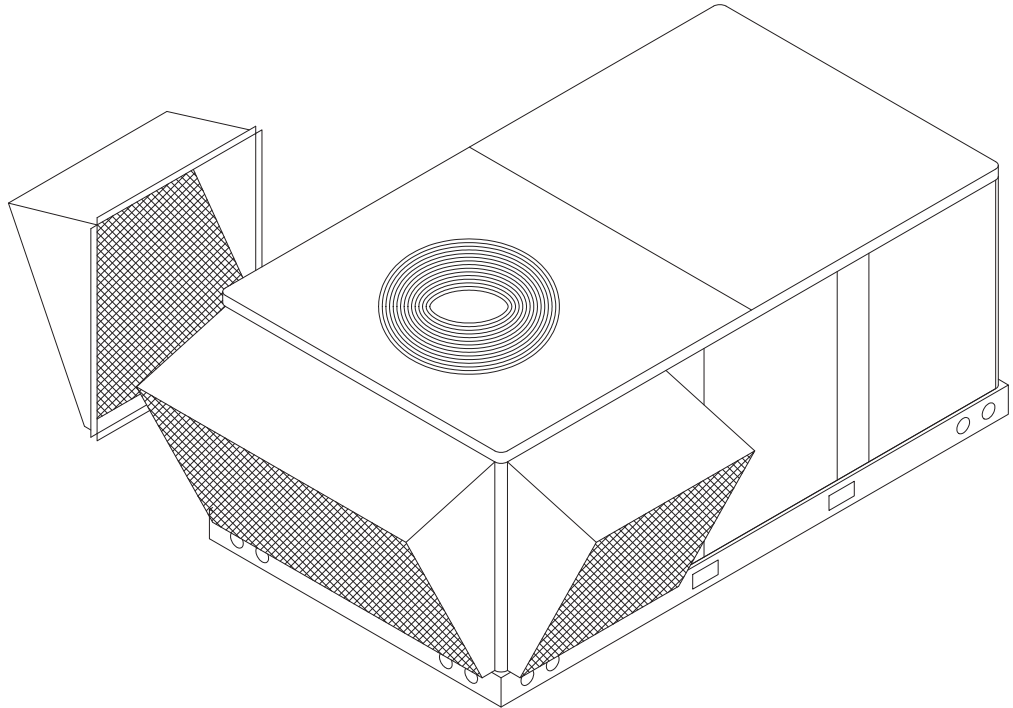




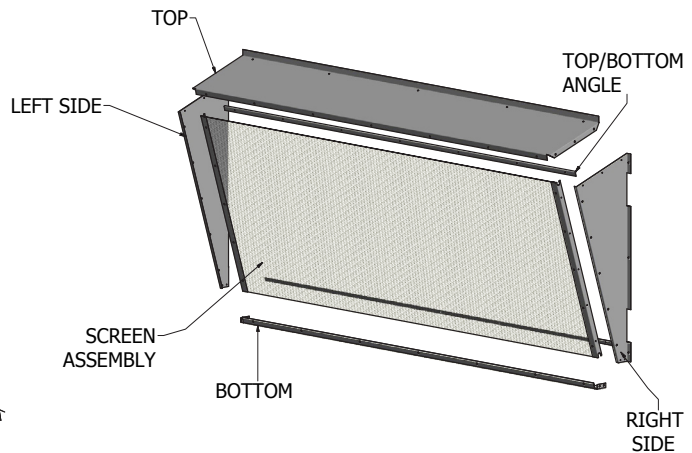
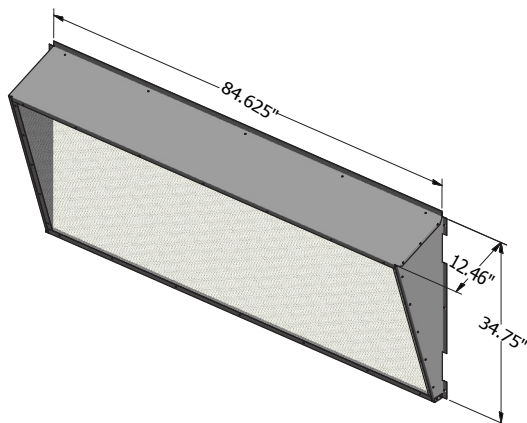
Instructions

Remove the parts from the box and inspect for damage.

Secure the coil guard to the end of the unit using the holes and screws provided.



- 1- ATTACH LEFT SIDE TO BOTTOM
- 2- ATTACH RIGHT SIDE TO BOTTOM
- 3- ATTACH TOP TO LEFT AND RIGHT SIDES
- 4- INSERT SCREEN ASSEMBLY FROM REAR AND ATTACH TO LEFT AND RIGHT SIDES
- 5- ATTACH TOP AND BOTTOM ANGLES (BEHIND SCREEN)
- 6- SECURE TO UNIT



KIT INCLUDES:

- 1- RIGHT SIDE
- 1- LEFT SIDE
- 1- TOP
- 1- BOTTOM
- 1- EXPANDED METAL ASSY.
- 2- TOP/ BOTTOM ANGLES
- 40 - 5/16" HEAD SCREWS

135-LX-11-1