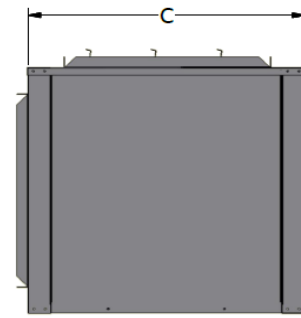


UNIT	DIMENSIONS					TON
	A	B	C	D	E	
125-MM-001DDC	32"	20"	24 1/4"	26"	18"	5 - 7 1/2
125-MM-002DDC	48"	23"	24 1/4"	42"	18"	7 1/2 - 12 1/2
125-MM-003DDC	56 3/8"	27 3/4"	28 7/8"	50 3/8"	22 3/8"	12 1/2 - 15



Installation

1. Install the economizer in the return duct with the flanged opening toward the equipment.
2. Connect the fresh air duct to the opening provided. The dampers for the fresh air opening are normally closed.
3. Connect the return air duct to the opening provided. The dampers for the return air opening are normally open.
4. Remove the control access panel from the economizer and the service panels from furnace.
5. Feed the economizer control wire up through the return to the control section of the unit.
6. Connect the wires using the diagram attached.
7. Replace the access panel.

125-MM-00XDDC WIRE DIAGRAM REV B 7/9/2018
 MODULATING ECONOMIZER CONTROLLER, MS7405A2030

